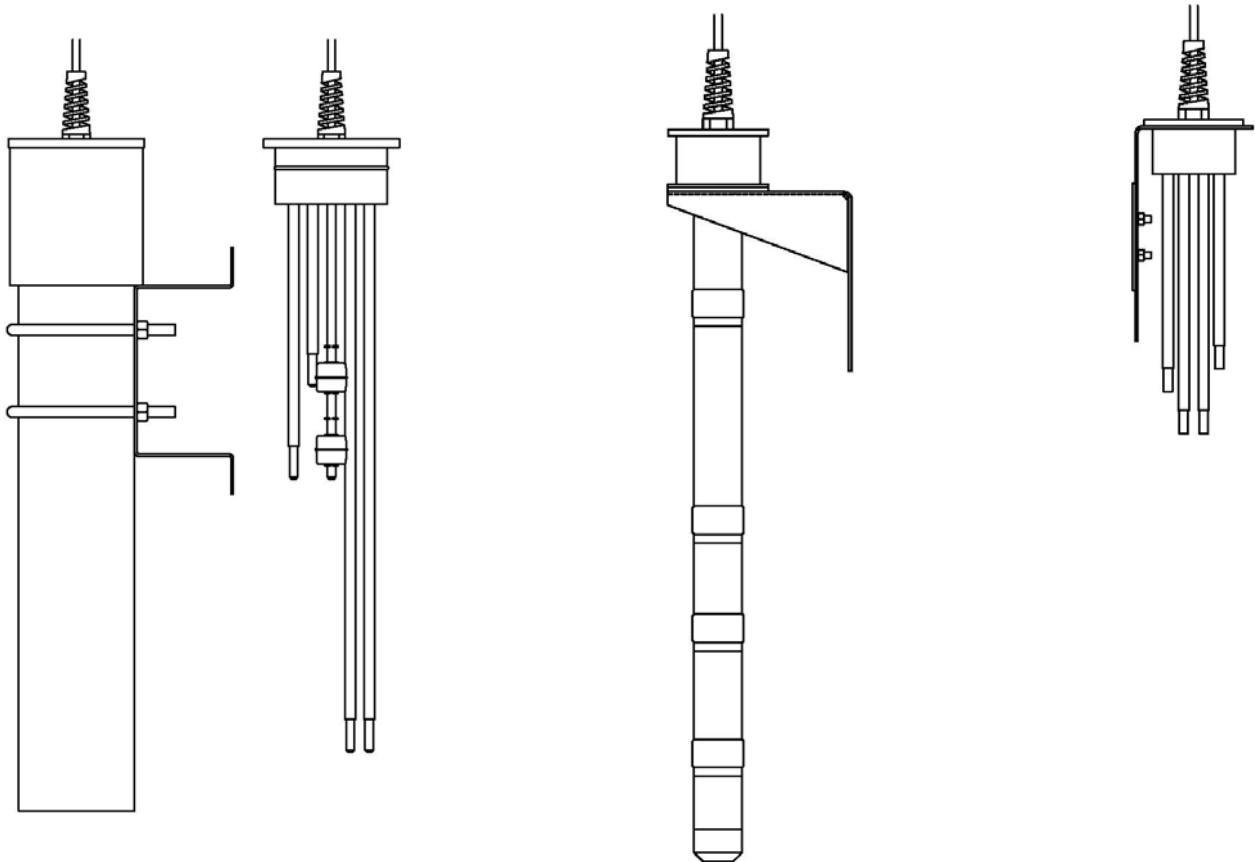


## Oil Sense Probe

### Features & Benefits

- For use with Oil Sense Control Panels
- Low-volt intrinsically safe sensor
- +/- 1/8" level sensing accuracy
- Level depths may be configured per your specification
- Available with alternative level indications and/or oil-level detection per your request
- Includes mounting hardware
- No calibration required
- Color coded wiring per terminal block connection
- Probes do not plate, foul, or deteriorate
- Protective PVC shielding available



\*Note: Consult the factory for other available options. Also, some options may require an increase in the enclosure size.