

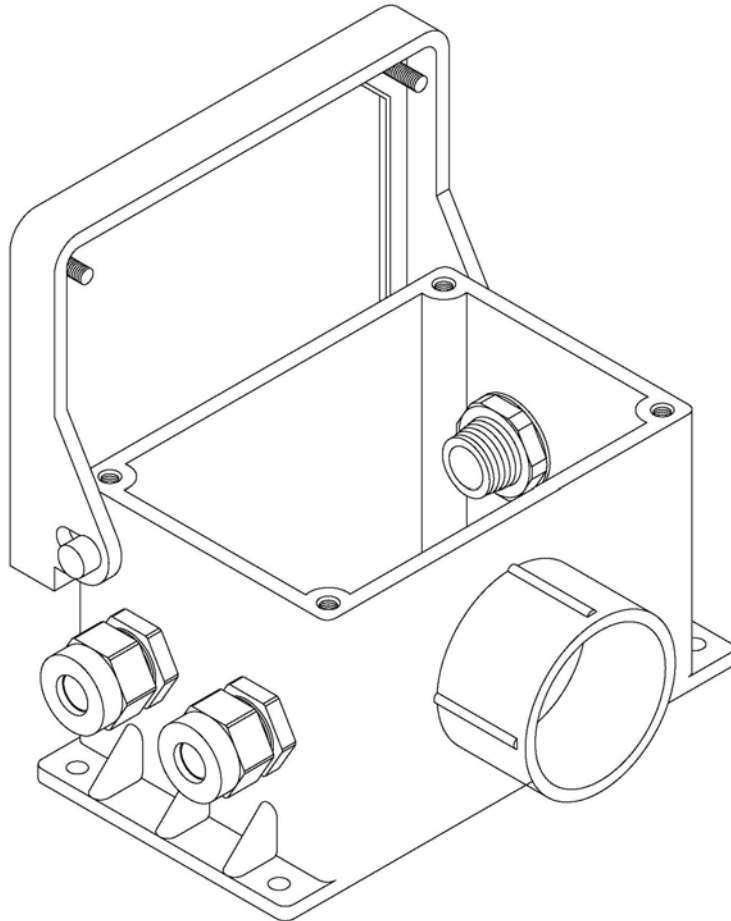


Junction Boxes

Custom Junction/Connection Boxes

Features & Benefits

- Durable NEMA 4x Thermoplastic Enclosure
- 4x Rated Cord Sealing Grips
- Available w/Conduit Entry Fitting
- Multiple Configurations Available
- Customized per Customer Specification
- Suitable for Indoor or Outdoor Use
- 3x5" and 5x7" interior sizes available

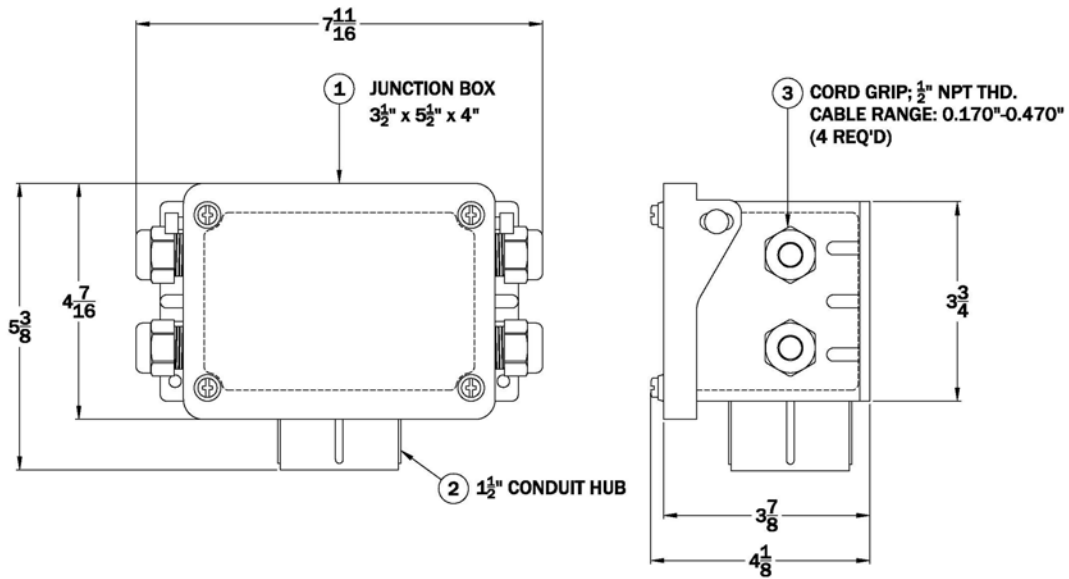


(10A702 Shown – one 1½" Conduit Hub and four ½" Cord grips)

***Note: Consult the factory for other available options.**

Custom Junction/Connection Boxes

Typical Dimensions (10A702 Shown)



Sample Junction/Connection Box Configurations

