

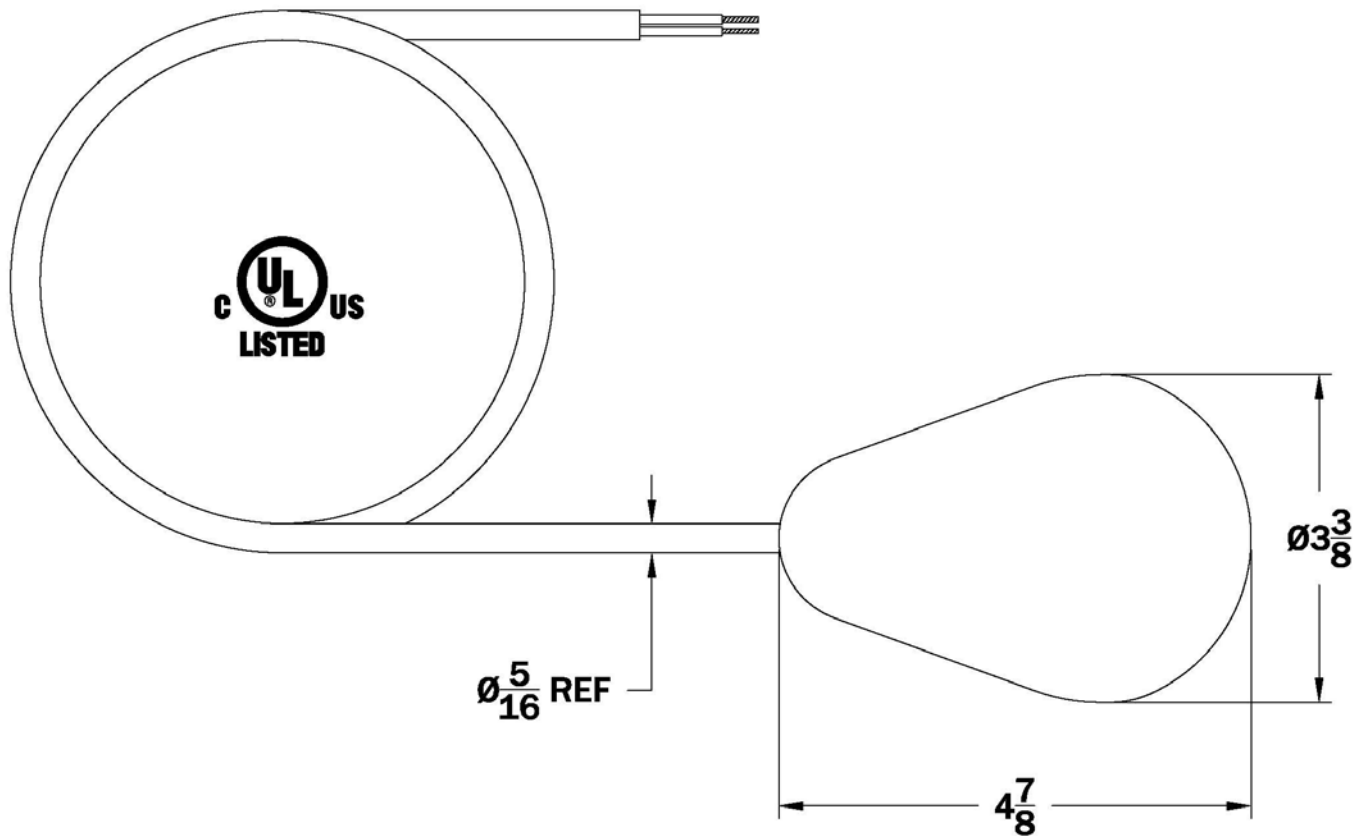


## Float Switches

### “20A600-E” Series Eco-Friendly Pilot Series Float Switches

#### Features & Benefits

- Durable Polypropylene Body Foam Filled Construction
- Mechanical Type Switch Actuation
- Narrow Angle (10° Operating Range)
- Control or Pilot Duty Rated Only
- Ideal for use with Control Panels
- Rated 5 amps @ 120VAC/240VAC
- Available in Pump Up or Pump Down Configurations
- Available w/External Weight, SST Pipe Clamp or Cable Tie
- Multiple Cord Lengths Available



\*Note: Consult the factory for other available options. Not Recommended for Potable Water Applications.

**“20A600-E” Series Eco-Friendly Pilot Series Float Switches**

**Typical Mounting**

