

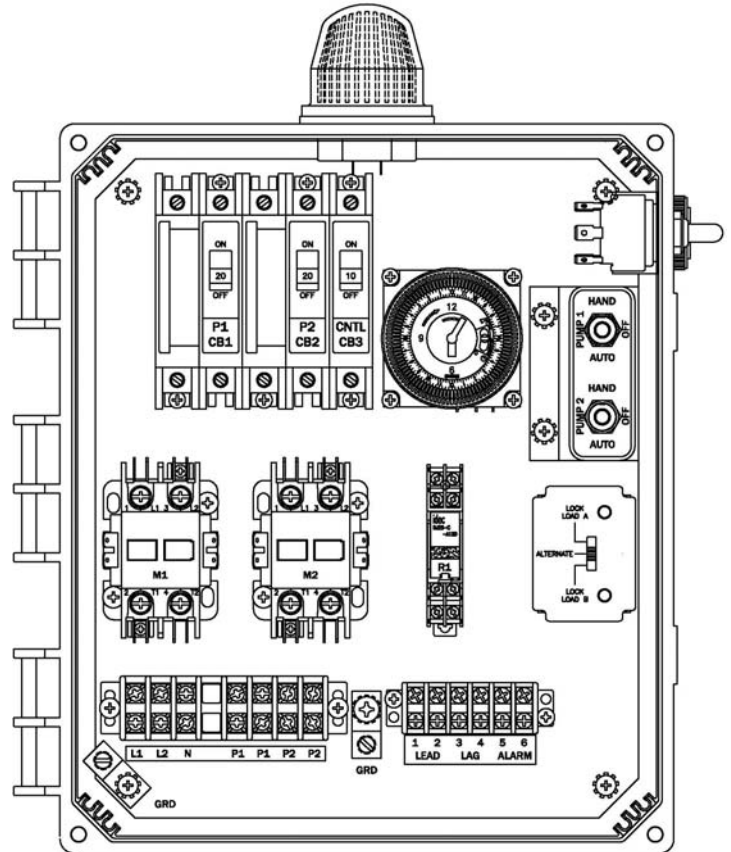


CONTROL PANEL

“120/240DT” Model Duplex Time Dosing Control Panel

Features & Benefits

- Circuit Breakers for Pumps & Control Circuits
- 24Hr Timer w/15 Minute Intervals
- Large & Easy to Access Terminal Block
- Usable with 115V or 230V Power
- Externally Mounted Run/Mute/Test Switch w/UV resistant sealing boot
- Externally Mounted Audible Alarm
- Rugged UV resistant Externally Mounted Alarm Light
- Durable Weather Resistant Hinged Poly Enclosure w/Sst Latches
- Pump Hand-Off-Auto Switches
- Definite Purpose Motor Contactors
- Alternating Relay
- Ground Lugs
- Easily Replaceable Components
- Nema 4x Rating
- Color Coded Internal Wiring
- Built and Labeled to UL 508A Standard
- Provided with Wiring Schematic and Detailed Connection Diagram for Installer
- Mounting Feet for Enclosure



(50B021-120/240DT Shown)

Available Options

- Auto-Dialer
- Alternating Relay w/Selector Switch
- Locking Stainless Steel Latch
- Timer Override Float
- Auxiliary Alarm Contacts
- Elapsed Timer Meters
- Event or Cycle Counters
- Mercury or Mechanical Float Switches for the Pump and High Water Alarm Circuits



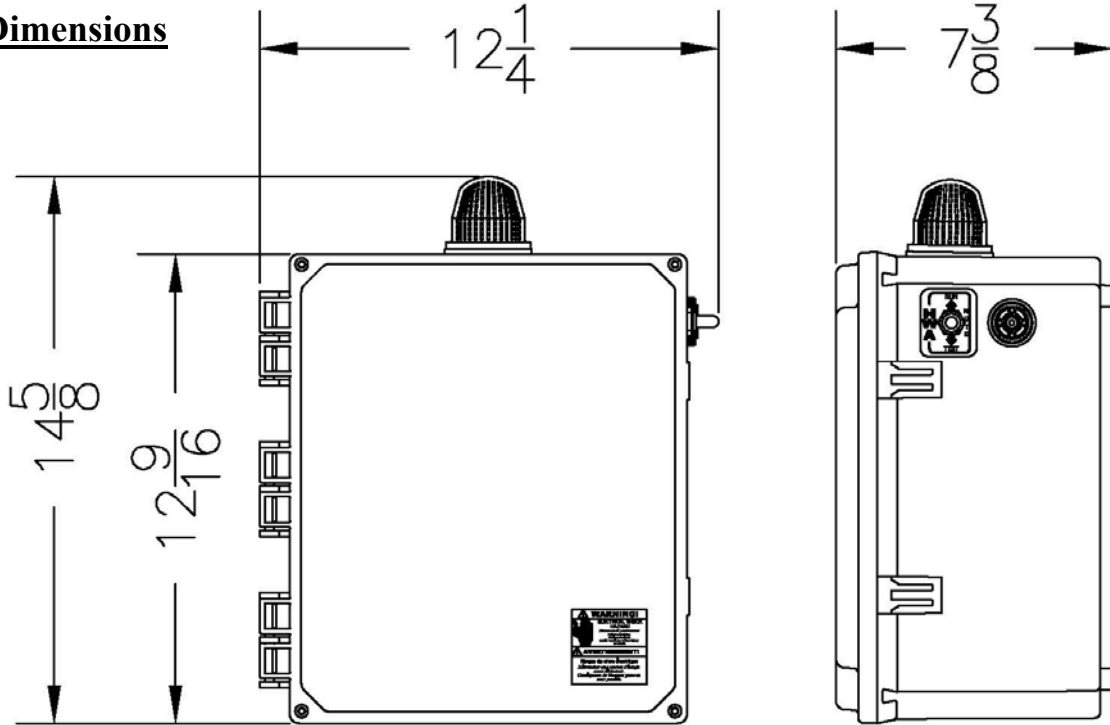
Note: Consult the factory for other available options. Also, some options may require an increase in the enclosure size.



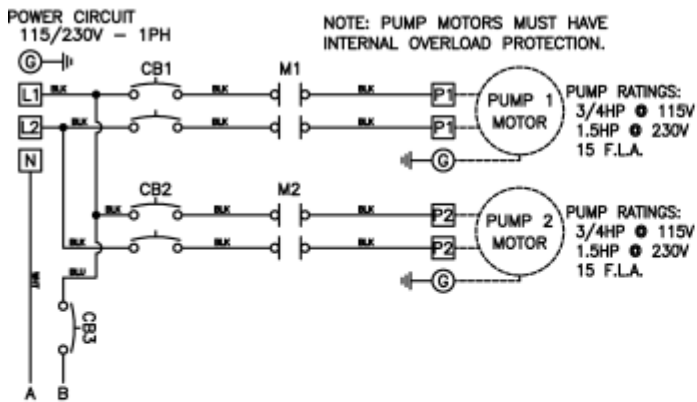
CONTROL PANEL

“120/240DT” Model Duplex Time Dosing Control Panel

Panel Dimensions



Panel Schematic



NOTES: MAIN PANEL DISCONNECT MUST BE PROVIDED BY INSTALLER. DASHED LINES INDICATE ITEMS NOT CONTAINED IN THE PANEL. REQUIRED TORQUE FOR TERMINAL BLOCK SCREWS IS 9 in.-lbs. FIELD WIRING MUST BE A MINIMUM OF 60°C COPPER WIRE.

