

TIGHTENING TORQUE FOR TERMINAL BLOCK IS 9 in-lbs.

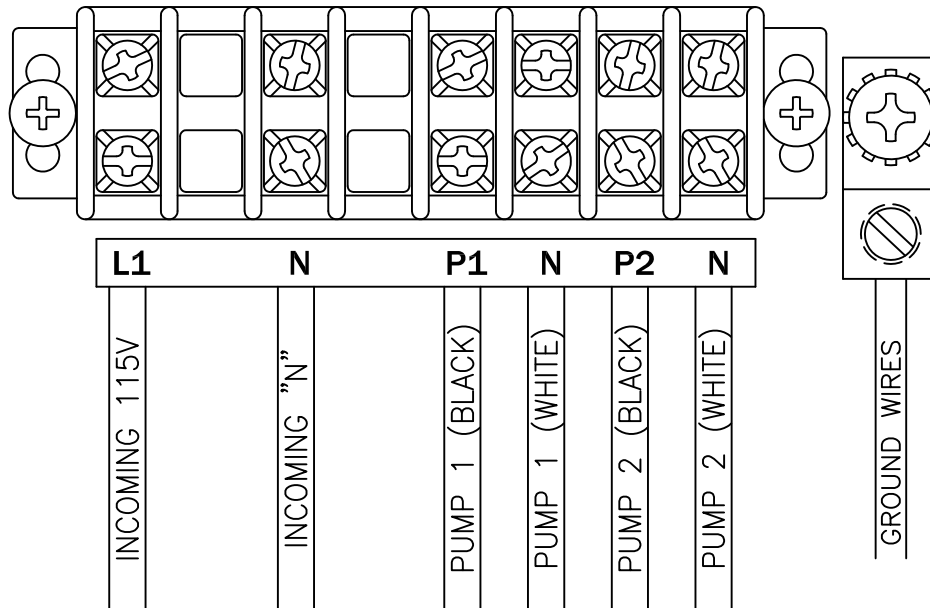
MODEL NO.

120DT

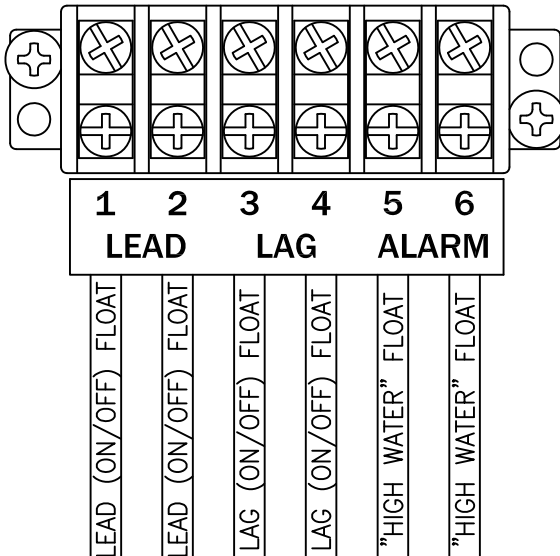
PAGE

1

POWER & PUMPS



FLOAT SWITCHES



ALL INFORMATION CONTAINED IN THIS DRAWING IS CONFIDENTIAL AND PROPRIETARY TO SEPTIC PRODUCTS INC.



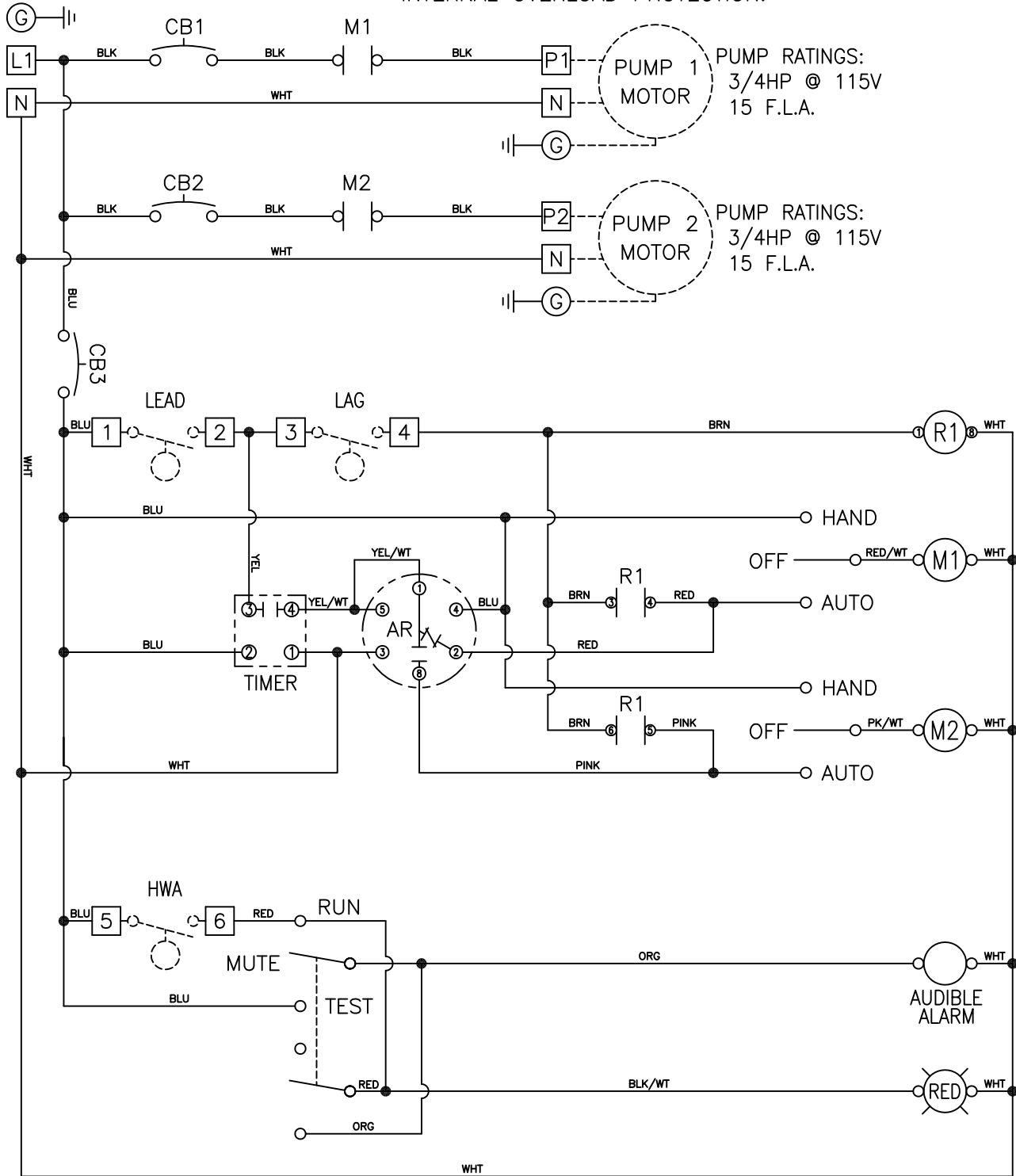
CHANGES		TOLERANCES		DRAWN BY		DATE		CONNECTION DIAGRAM			
F		DECIMALS .XXX = ±.005 .XX = ±.010 FRACTIONAL X/X = ±.1/64 ANGLES X° = ±1/2°		C. BARRICK		4/24/18					
E				MATERIAL SPECIFICATION: AS NOTED				SCALE: PART NO.			
D								FULL		50B021	
C											
B											
A											

POWER CIRCUIT
115V - 1PH

NOTE: PUMP MOTORS MUST HAVE
INTERNAL OVERLOAD PROTECTION.

PUMP RATINGS:
3/4HP @ 115V
15 F.L.A.

PUMP RATINGS:
3/4HP @ 115V
15 F.L.A.



NOTES: MAIN PANEL DISCONNECT MUST BE PROVIDED BY INSTALLER.
DASHED LINES INDICATE ITEMS NOT CONTAINED IN THE PANEL.
REQUIRED TORQUE FOR TERMINAL BLOCK SCREWS IS 9 in-lbs.
FIELD WIRING MUST BE A MINIMUM OF 60°C COPPER WIRE.



CHANGES	TOLERANCES	DRAWN BY	DATE
F	DECIMALS .xxx = ±.005	C. BARRICK	4/24/18
E	.xx = ±.010	MATERIAL SPECIFICATION: AS NOTED	
D	FRACTIONAL x/x = ±.1/64		
C	ANGLES x° = ±1/2°		
B			
A			

SCHEMATIC, ELECTRICAL

SCALE: PART NO.

FULL

50B021