

TIGHTENING TORQUE FOR TERMINAL BLOCK IS 9 in-lbs.

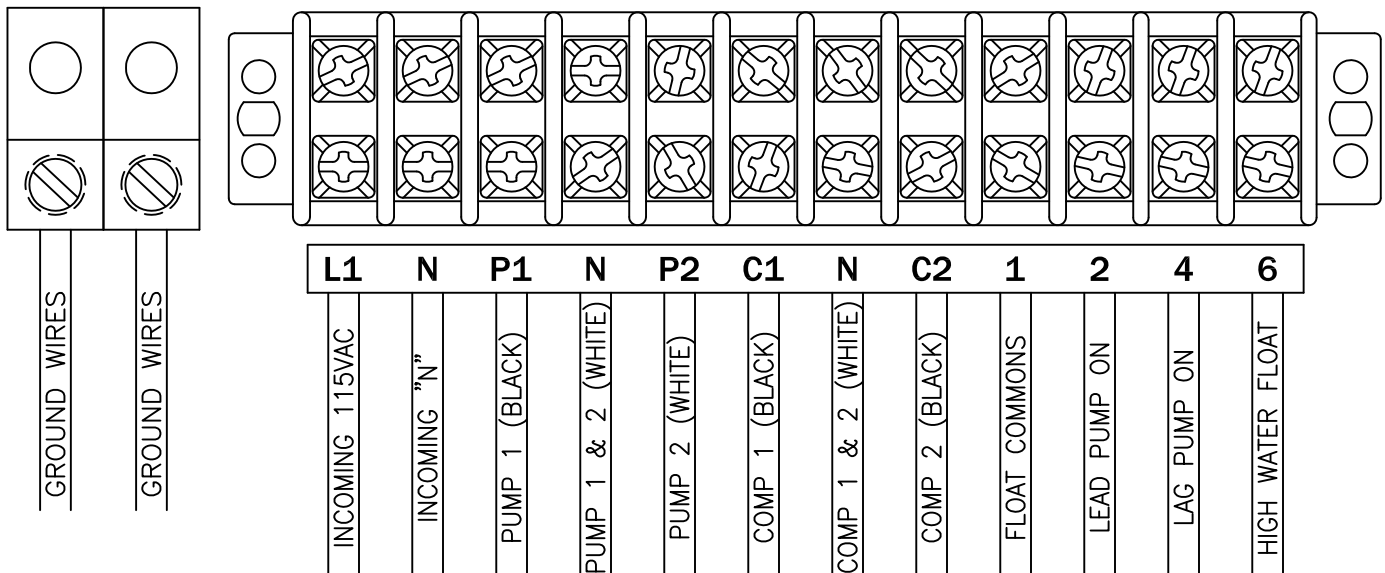
MODEL NO.

120DT-2CAL

PAGE

1

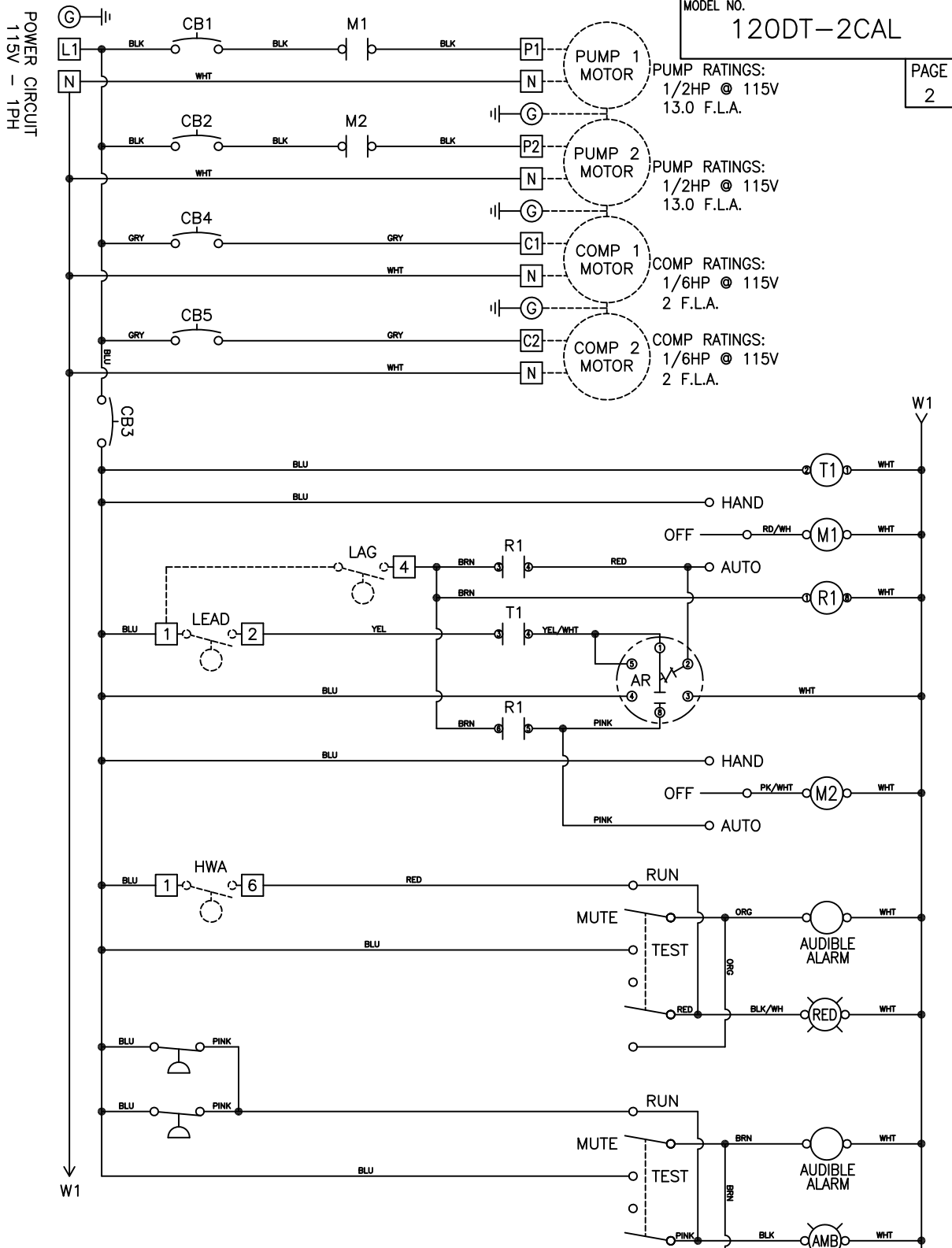
CONNECTION DIAGRAM



ALL INFORMATION CONTAINED IN THIS DRAWING IS
CONFIDENTIAL AND PROPRIETARY TO SEPTIC PRODUCTS INC.



CHANGES	TOLERANCES	DRAWN BY	DATE	POWER CONNECTION DUPLEX TIMED	
F	DECIMALS .xxx = ±.005 .xx = ±.010	C. BARRICK	3/18/2011		
E	FRACTIONAL x/x = ±.1/64	MATERIAL SPECIFICATION: AS NOTED		FULL	50B021
D	ANGLES x° = ±1/2°				
C					
B					
A					



MODEL NO.
120DT-2CAL

PUMP RATINGS:
1/2HP @ 115V
13.0 F.L.A.

PUMP RATINGS:
1/2HP @ 115V
13.0 F.L.A.

COMP RATINGS:
1/6HP @ 115V
2 F.L.A.

COMP RATINGS:
1/6HP @ 115V
2 F.L.A.

PAGE
2

NOTES: MAIN PANEL DISCONNECT MUST BE PROVIDED BY INSTALLER.
 DASHED LINES INDICATE ITEMS NOT CONTAINED IN THE PANEL.
 FIELD WIRING MUST BE A MINIMUM OF 60°C COPPER WIRE. ALL
 INFORMATION CONTAINED IN THIS DRAWING IS CONFIDENTIAL AND
 PROPRIETARY TO SEPTIC PRODUCTS INC. TO PRESERVE
 ENVIRONMENTAL RATING OF ENCLOSURE USE FITTINGS AND HUBS
 WITH THE SAME RATING AS ENCLOSURE

SPI
SEPTIC PRODUCTS INC

SCHEMATIC, ELECTRICAL

SCALE: PART NO.
FULL 50B021

CHANGES	TOLERANCES	DRAWN BY	DATE
F	DECIMALS .XXX = ±.005 .XX = ±.010	C. BARRICK	04/20/18
E	FRACTIONAL X/X = ±.1/64 ANGLES X' = ±1/2'	MATERIAL SPECIFICATION: AS NOTED	
D			
C			
B			
A			