

TIGHTENING TORQUE FOR TERMINAL BLOCK IS 9 in-lbs.

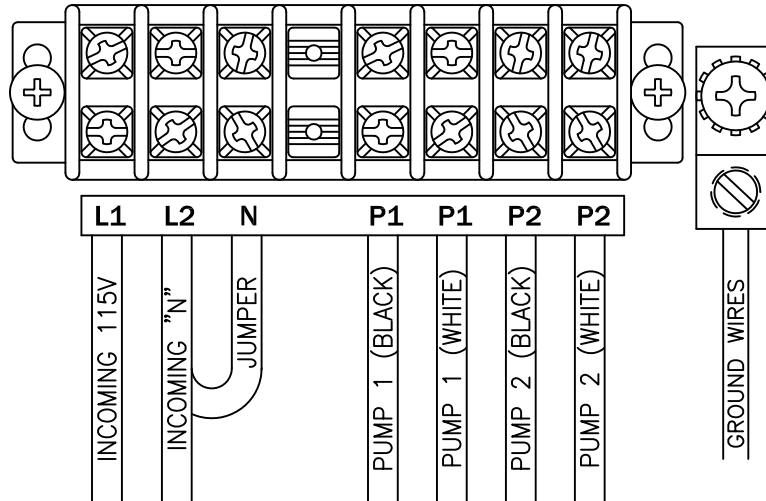
MODEL NO.

120-240DT

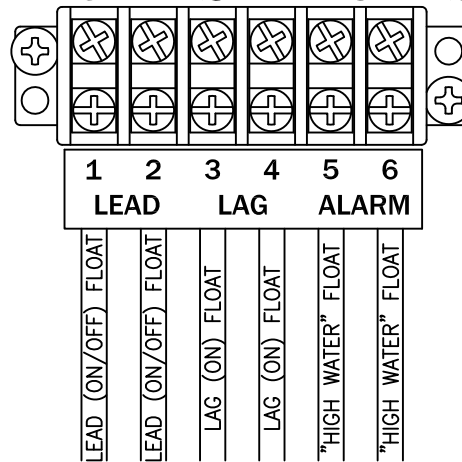
PAGE

1

INCOMING POWER & PUMPS (115V)



FLOAT SWITCHES



ALL INFORMATION CONTAINED IN THIS DRAWING IS
CONFIDENTIAL AND PROPRIETARY TO SEPTIC PRODUCTS INC.



CHANGES	TOLERANCES	DRAWN BY	DATE	POWER CONNECTION DUPLEX DOSING	
F	DECIMALS .XXX = ±.005 .XX = ±.010	D. MIDDLETON	5/20/04		
E	FRACTIONAL X/X = ±.1/64	MATERIAL SPECIFICATION: AS NOTED		FULL	50B021
D	ANGLES x' = ±1/2"				
C					
B					
A					

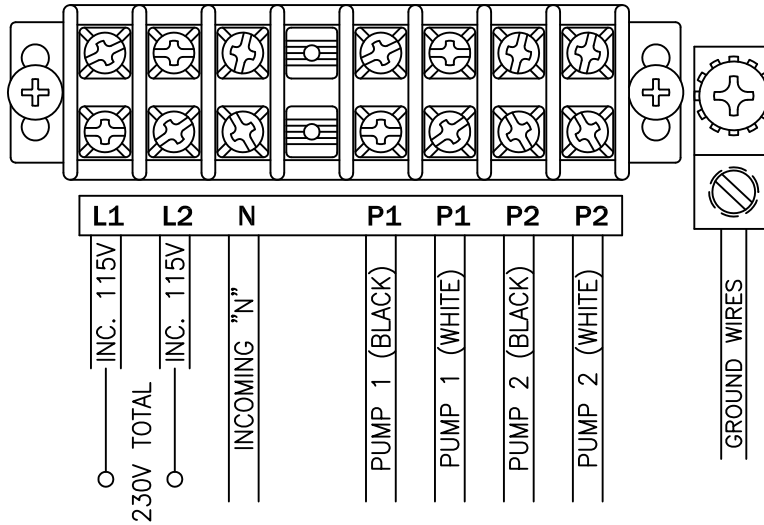
TIGHTENING TORQUE FOR TERMINAL BLOCK IS 9 in-lbs.

MODEL NO.

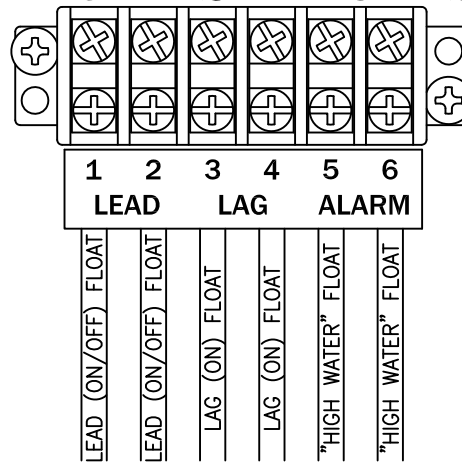
120-240DT

PAGE
2

INCOMING POWER & PUMPS (230V)



FLOAT SWITCHES



ALL INFORMATION CONTAINED IN THIS DRAWING IS
CONFIDENTIAL AND PROPRIETARY TO SEPTIC PRODUCTS INC.



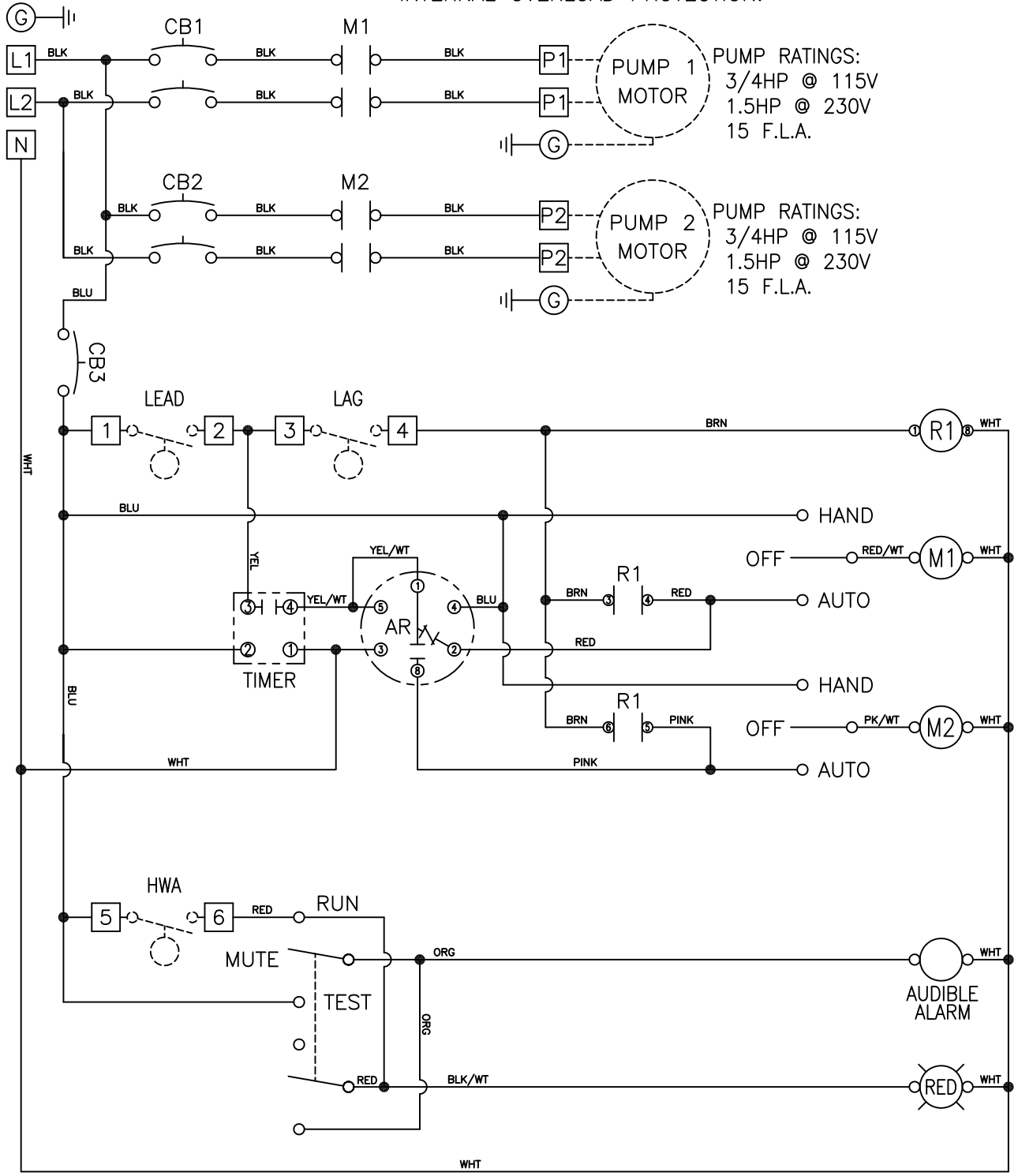
CHANGES		TOLERANCES		DRAWN BY		DATE		POWER CONNECTION DUPLEX DOSING			
F		DECIMALS .XXX = ±.005 .XX = ±.010 FRACTIONAL X/X = ±.1/64 ANGLES X° = ±1/2°		D. MIDDLETON		5/20/04					
E				MATERIAL SPECIFICATION: AS NOTED				SCALE: PART NO.			
D								FULL		50B021	
C											
B											
A											

POWER CIRCUIT
115/230V - 1PH

NOTE: PUMP MOTORS MUST HAVE
INTERNAL OVERLOAD PROTECTION.

PUMP RATINGS:
3/4HP @ 115V
1.5HP @ 230V
15 F.L.A.

PUMP RATINGS:
3/4HP @ 115V
1.5HP @ 230V
15 F.L.A.



NOTES: MAIN PANEL DISCONNECT MUST BE PROVIDED BY INSTALLER.
DASHED LINES INDICATE ITEMS NOT CONTAINED IN THE PANEL.
FIELD WIRING MUST BE A MINIMUM OF 60°C COPPER WIRE.



CHANGES	TOLERANCES	DRAWN BY	DATE
F	DECIMALS .xxx = ±.005	C. BARRICK	10/21/16
E	.xx = ±.010	MATERIAL SPECIFICATION: AS NOTED	
D	FRACTIONAL x/x = ±.1/64		
C	ANGLES x° = ±1/2°		
A			

SCHEMATIC, ELECTRICAL	
SCALE: FULL	PART NO. 50B021