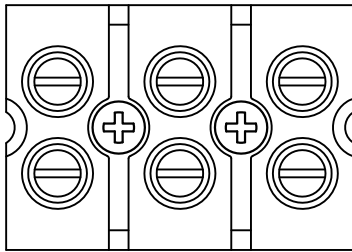


MODEL NO.

120/240DD-2CAL

INCOMING POWER

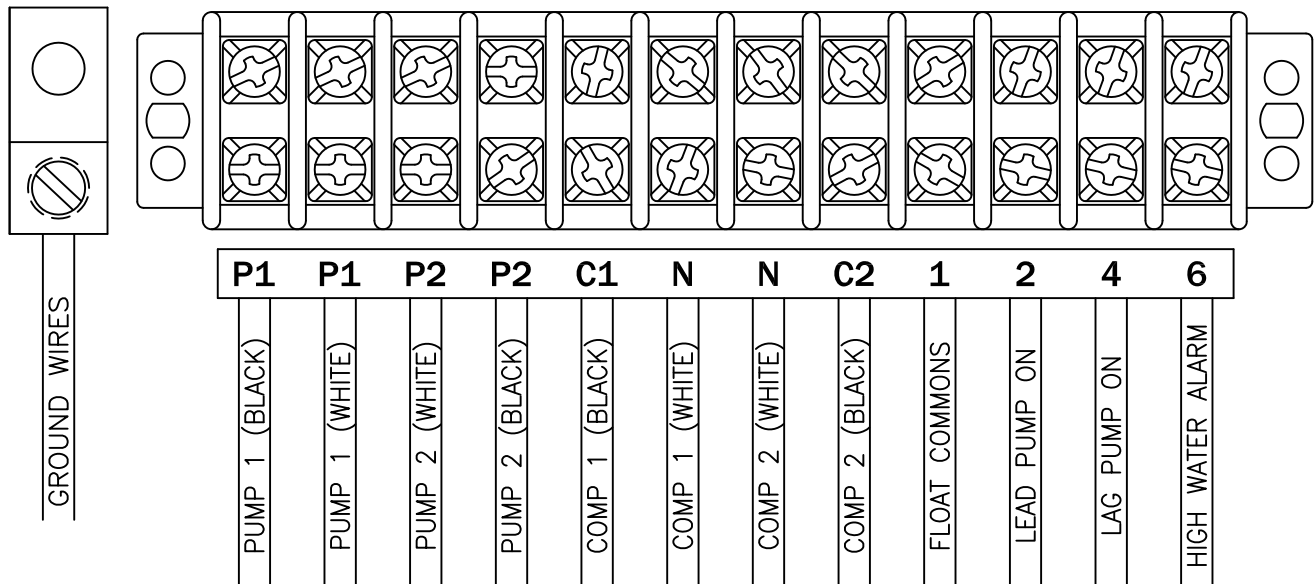


TIGHTENING TORQUE FOR
TERMINAL BLOCK IS 16 in-lbs.

L1 L2 N
INC. 115/230VAC

PUMPS, COMPRESSORS & FLOATS

TIGHTENING TORQUE FOR TERMINAL BLOCK IS 9 in-lbs.



GROUND WIRES

P1	P1	P2	P2	C1	N	N	C2	1	2	4	6
PUMP 1 (BLACK)	PUMP 1 (WHITE)	PUMP 2 (WHITE)	PUMP 2 (BLACK)	COMP 1 (BLACK)	COMP 1 (WHITE)	COMP 2 (WHITE)	COMP 2 (BLACK)	FLOAT COMMONS	LEAD PUMP ON	LAG PUMP ON	HIGH WATER ALARM

ALL INFORMATION CONTAINED IN THIS DRAWING IS
CONFIDENTIAL AND PROPRIETARY TO SEPTIC PRODUCTS INC.

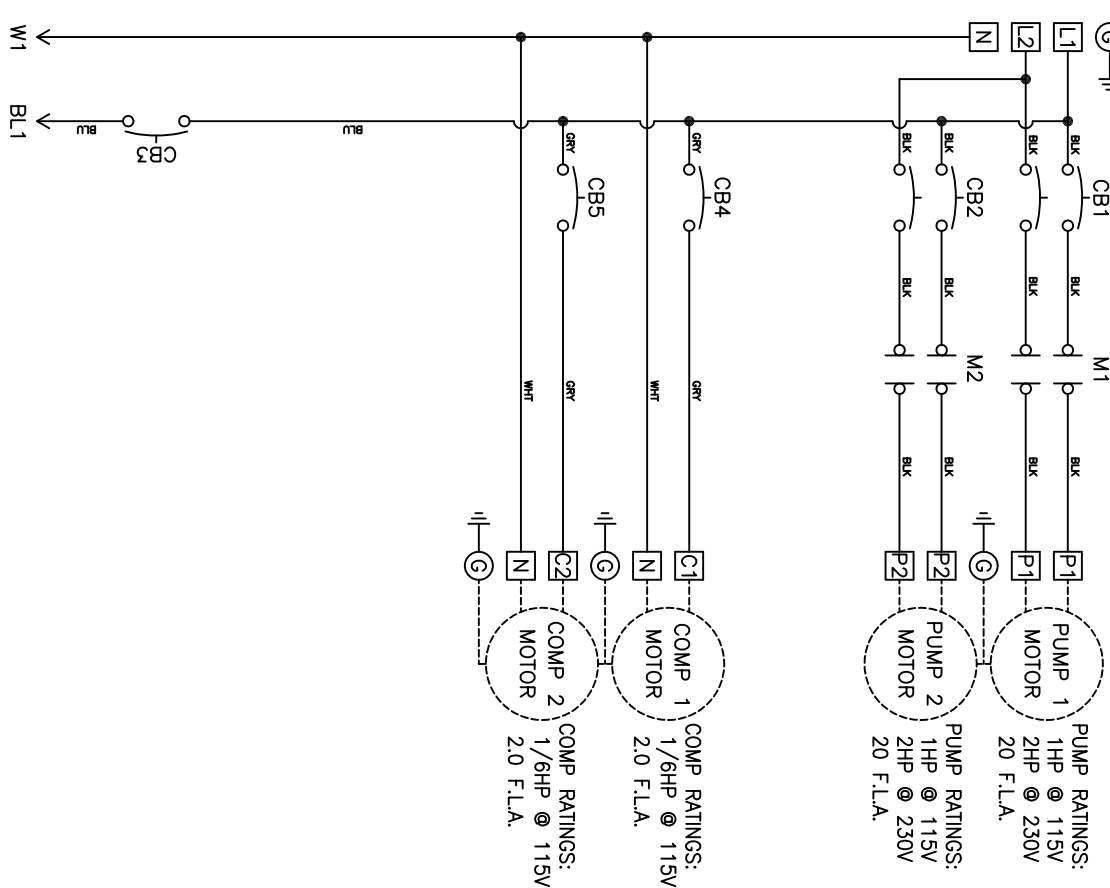


CHANGES	TOLERANCES	DRAWN BY	DATE
F	DECIMALS .XXX = ±.005 .XX = ±.010 FRACTIONAL X/X = ±.1/64 ANGLES X° = ±1/2°	D. MIDDLETON	10/28/11
E		MATERIAL SPECIFICATION: AS NOTED	
D			
C			
B			
A			

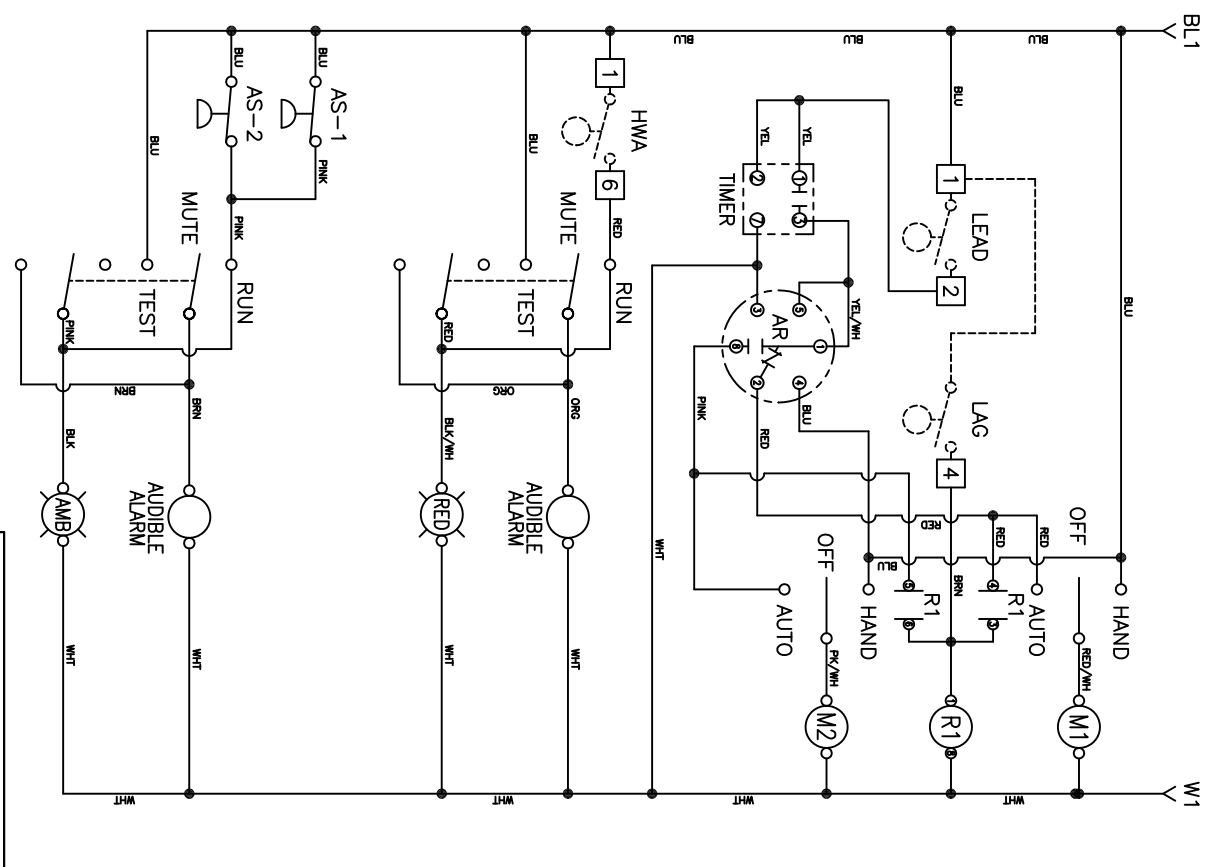
POWER CONNECTION DUPLIX TIMED, 2 COMP	
SCALE:	PART NO.
FULL	50B019

POWER CIRCUIT
115/230V - 1PH

NOTE: PUMP MOTORS MUST HAVE
INTERNAL OVERLOAD PROTECTION.



NOTES: MAIN PANEL DISCONNECT MUST BE PROVIDED BY INSTALLER.
DASHED LINES INDICATE ITEMS NOT CONTAINED IN THE PANEL.
REQUIRED TORQUE FOR TERMINAL BLOCK SCREWS IS 9 in.-lbs.
FIELD WIRING MUST BE A MINIMUM OF 60°C COPPER WIRE.



ALL INFORMATION CONTAINED IN THIS DRAWING
IS CONFIDENTIAL AND
PROPRIETARY TO SEPTIC PRODUCTS INC.



CHANGES	TOLERANCES	DRAWN BY	DATE
F	DECIMALS XX = ±.005	D. MIDDLETON	10/28/11
E	XX = ±.010	MATERIAL SPECIFICATION:	
D	FRACTIONAL X/X = ±.1/64	AS NOTED	
C	ANGLES X° = ±1/2°		
B			
A			

SCALE:	PART NO.
NONE	50B019-120/240DD-2CAL