

TIGHTENING TORQUE FOR TERMINAL BLOCK IS 9 in-lbs.

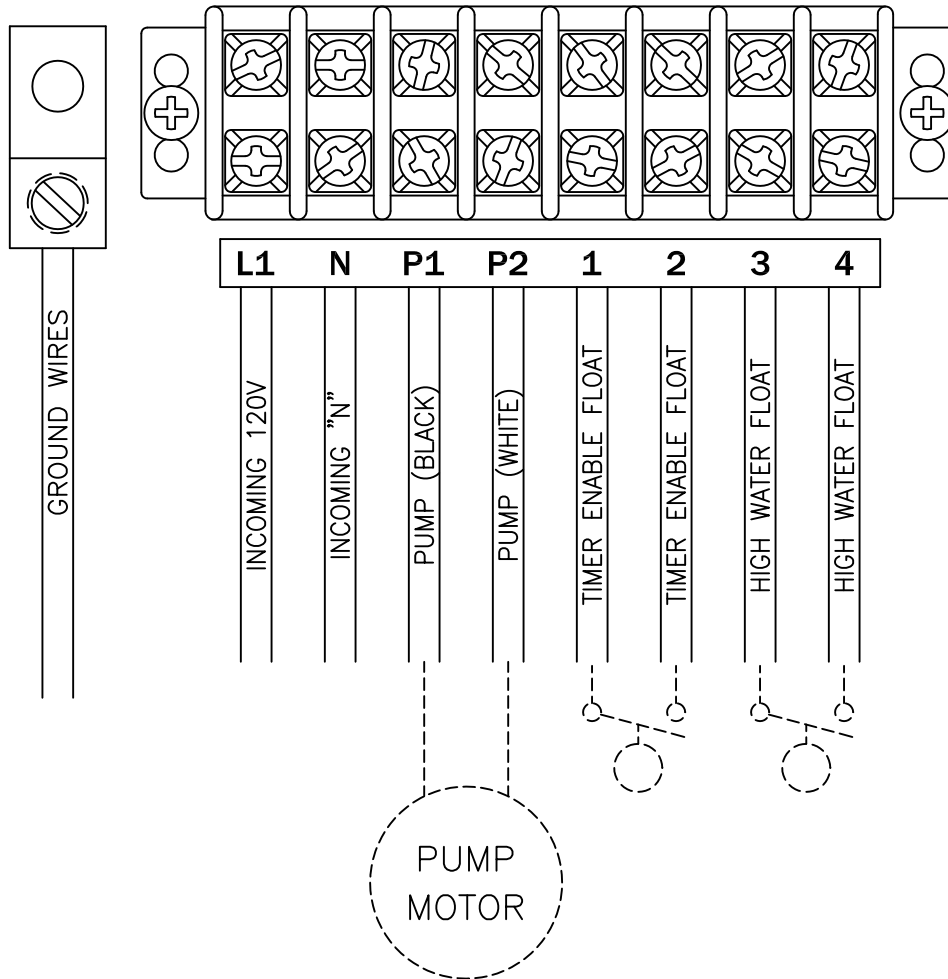
MODEL NO.

120D

PAGE

1

CONNECTION DIAGRAM



ALL INFORMATION CONTAINED IN THIS DRAWING IS CONFIDENTIAL AND PROPRIETARY TO SEPTIC PRODUCTS INC.

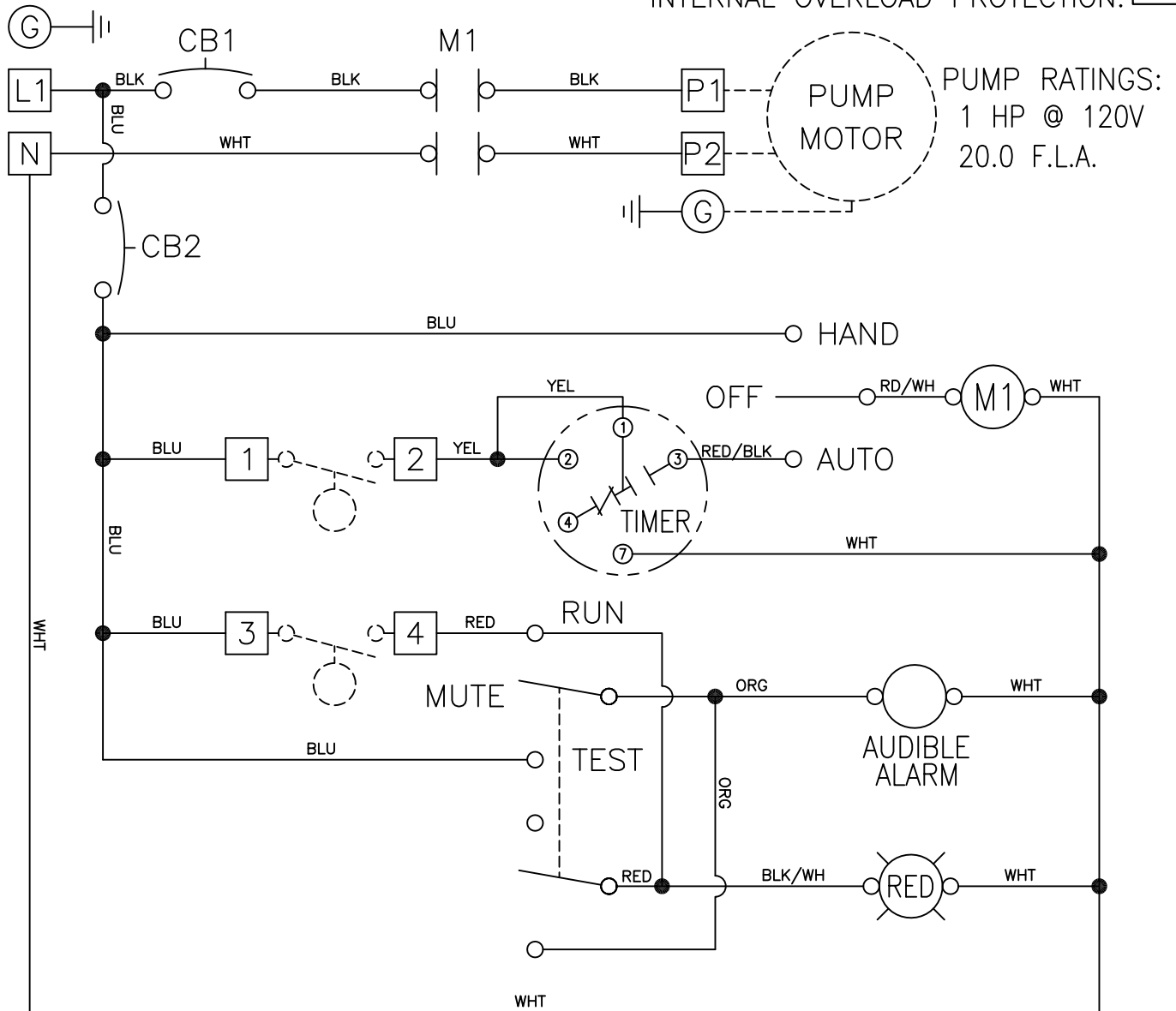


CHANGES	TOLERANCES	DRAWN BY	DATE
F	DECIMALS .xxx = ±.005 .xx = ±.010 FRACTIONAL x/x = ±.1/64 ANGLES x' = ±1/2"	D. MIDDLETON	5/20/04
E		MATERIAL SPECIFICATION: AS NOTED	
D			
C			
B			
A			

POWER CONNECTION SIMPLEX DOSING	
SCALE:	PART NO.
FULL	50B017

PUMP POWER CIRCUIT
120V - 1PH

NOTE: MOTOR MUST HAVE
INTERNAL OVERLOAD PROTECTION.



NOTES: MAIN PANEL DISCONNECT MUST BE PROVIDED BY INSTALLER.
DASHED LINES INDICATE ITEMS NOT CONTAINED IN THE PANEL.
FIELD WIRING MUST BE A MINIMUM OF 60°C COPPER WIRE.
REQUIRED TORQUE FOR TERMINAL BLOCK SCREWS IS 9 in.-lbs.

ALL INFORMATION CONTAINED IN THIS DRAWING IS
CONFIDENTIAL AND PROPRIETARY TO SEPTIC PRODUCTS, INC.



CHANGES	TOLERANCES	DRAWN BY	DATE	SCHEMATIC, ELECTRICAL	
F	DECIMALS .XXX = ±.005 .XX = ±.010 FRACTIONAL X/X = ±.1/64 ANGLES x° = ±1/2°	C. BARRICK	05/15/2017	SCALE:	PART NO.
E		MATERIAL SPECIFICATION: AS NOTED		FULL	50B017
D					
C					
B					
A					