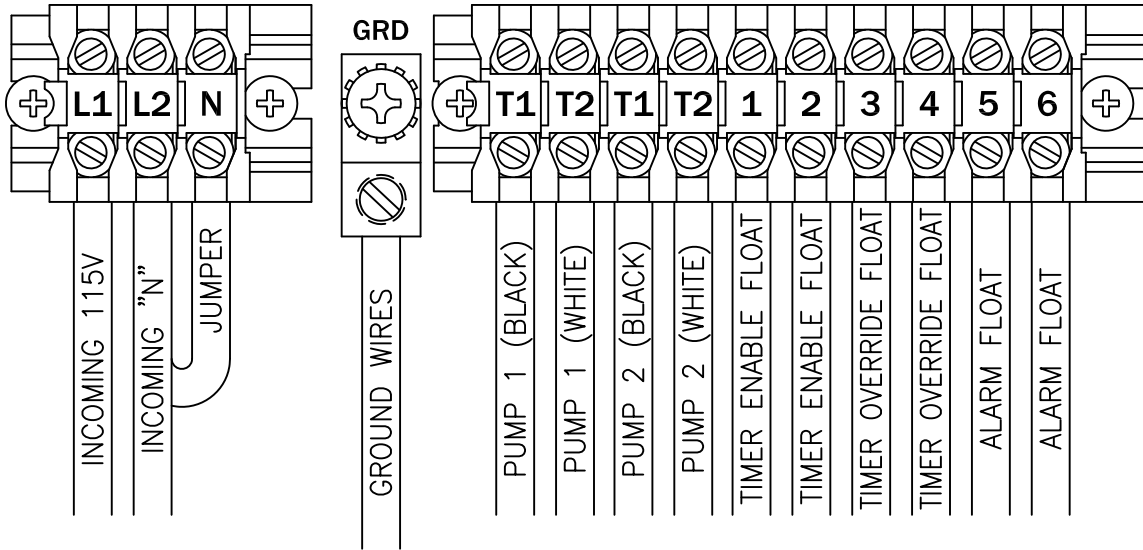


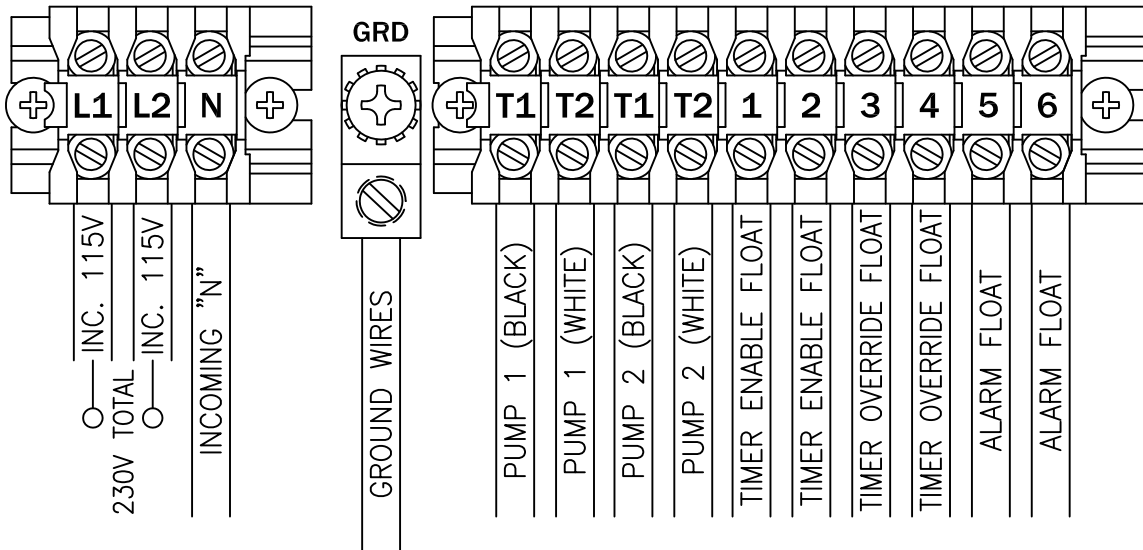
CONNECTION DIAGRAM

REQUIRED TORQUE FOR TERMINAL BLOCK SCREWS IS 16 in-lbs.

FOR 115V PUMPS



FOR 230V PUMPS



ALL INFORMATION CONTAINED IN THIS DRAWING IS
CONFIDENTIAL AND PROPRIETARY TO SEPTIC PRODUCTS INC.

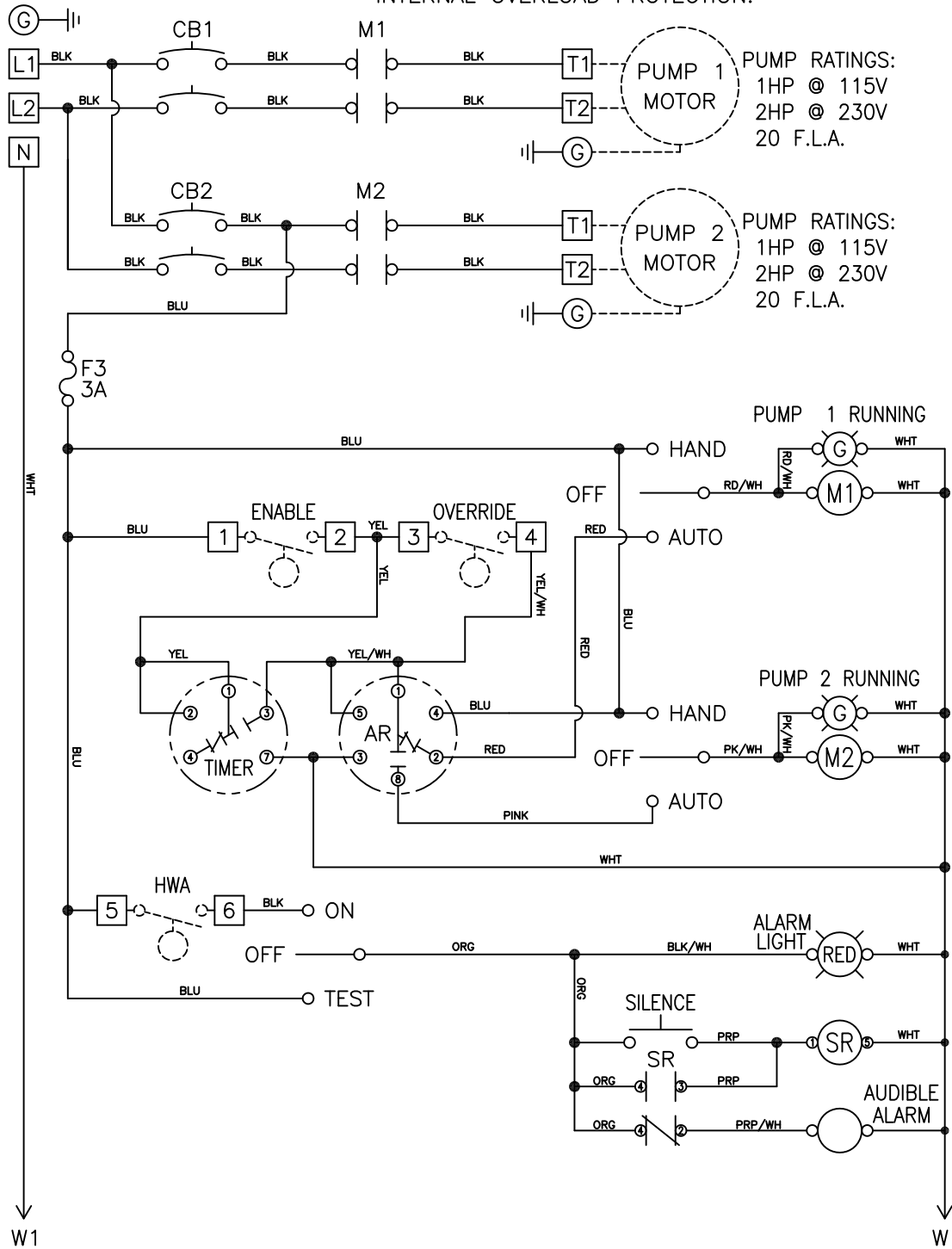


CHANGES		TOLERANCES		DRAWN BY		DATE	
F		DECIMALS		C. BARRICK		09/06/17	
E		.XXX = ±.005		MATERIAL SPECIFICATION:			
D		.XX = ±.010					
C		FRACTIONAL		AS NOTED			
B		X/X = ±.1/64					
A		ANGLES					
		X' = ±1/2'		FULL		50A810	

CONNECTION DIAGRAM

POWER CIRCUIT
115/230V - 1PH

NOTE: PUMP MOTORS MUST HAVE
INTERNAL OVERLOAD PROTECTION.



PUMP RATINGS:
1HP @ 115V
2HP @ 230V
20 F.L.A.

PUMP RATINGS:
1HP @ 115V
2HP @ 230V
20 F.L.A.

NOTES: MAIN PANEL DISCONNECT MUST BE PROVIDED BY INSTALLER.
DASHED LINES INDICATE ITEMS NOT CONTAINED IN THE PANEL.
REQUIRED TORQUE FOR TERMINAL BLOCK SCREWS IS 16 in-lbs.
FIELD WIRING MUST BE A MINIMUM OF 60°C COPPER WIRE.
ALL INFORMATION CONTAINED IN THIS DRAWING IS CONFIDENTIAL
AND PROPRIETARY TO SEPTIC PRODUCTS INC.



CHANGES	TOLERANCES	DRAWN BY	DATE
F	DECIMALS .xxx = ±.005 .xx = ±.010	C. BARRICK	09/06/17
E	FRACTIONAL x/x = ±1/64	MATERIAL SPECIFICATION: AS NOTED	
D	ANGLES x' = ±1/2'		
C			
B			
A			

SCHEMATIC, ELECTRICAL

SCALE:	PART NO.
FULL	50A810