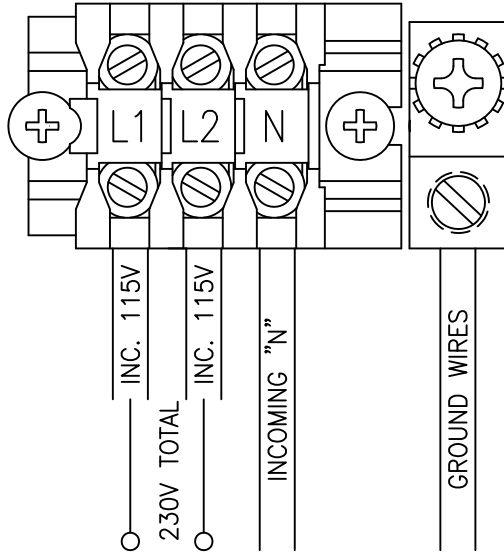


TIGHTENING TORQUE FOR TERMINAL BLOCK IS 16 in-lbs.

MODEL NO.

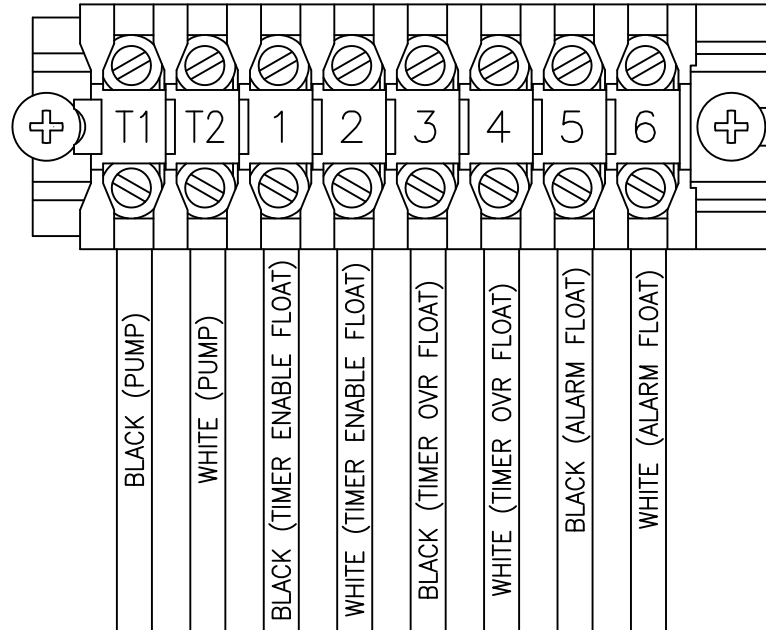
SSTD2B

INCOMING POWER CONNECTIONS



CONNECTION DIAGRAM TIME DOSE CONTROL PANEL USING 230V-1PH

PUMP & FLOAT CONNECTIONS



ALL INFORMATION CONTAINED IN THIS DRAWING IS CONFIDENTIAL AND PROPRIETARY TO SEPTIC PRODUCTS INC.

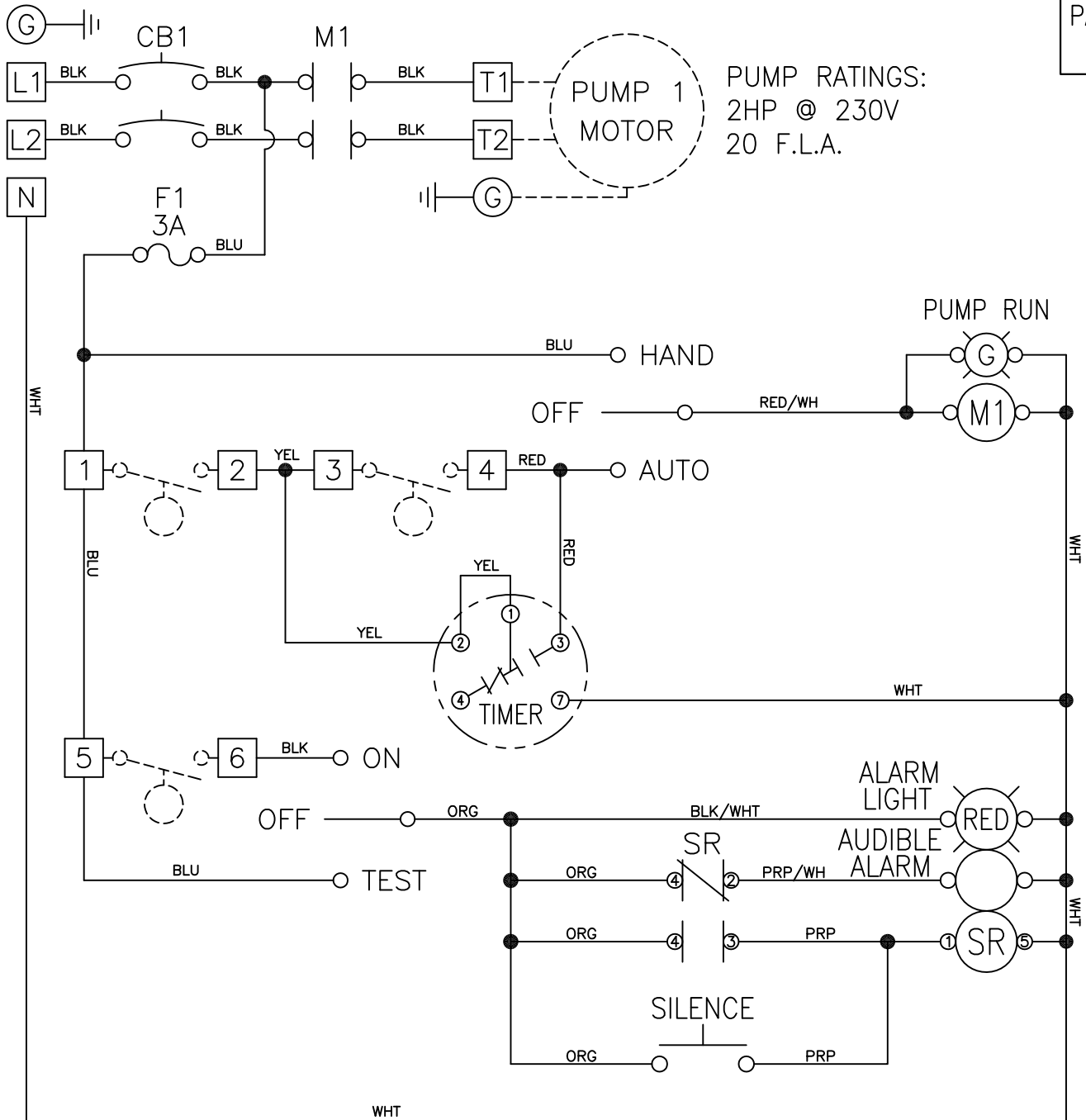


CHANGES	TOLERANCES	DRAWN BY	DATE	POWER CONNECTION DIAGRAM	
F	DECIMALS .XXX = ±.005 .XX = ±.010 FRACTIONAL X/X = ±.1/64 ANGLES X° = ±1/2°	D. MIDDLETON	01/20/04		
E		MATERIAL SPECIFICATION: AS NOTED		FULL	50A802
D					
C					
B					
A					

POWER CIRCUIT
230V - 1PH

NOTE: PUMP MOTOR MUST HAVE
INTERNAL OVERLOAD PROTECTION.

PUMP RATINGS:
2HP @ 230V
20 F.L.A.



NOTES: FLOAT SWITCH TO BE RATED 2 AMP AT 120V MINIMUM.
MAIN PANEL DISCONNECT MUST BE PROVIDED BY INSTALLER.
DASHED LINES INDICATE ITEMS NOT CONTAINED IN THE PANEL.
FIELD WIRING MUST BE A MINIMUM OF 60°C COPPER WIRE.
TO PRESERVE ENVIRONMENTAL RATING OF PANEL, USE FITTINGS
AND HUBS WITH SAME ENVIRONMENTAL RATING AS ENCLOSURE



SIMPLEX TIME DOSE
SCHEMATIC

CHANGES	TOLERANCES	DRAWN BY	DATE
F	DECIMALS .XXX = ±.005	D. MIDDLETON	06/20/04
E	.XX = ±.010	MATERIAL SPECIFICATION: AS NOTED	
D	FRACTIONAL X/X = ±.1/64		
C	ANGLES x° = ±1/2°		
B			
A			

SCALE:	PART NO.
FULL	50A802