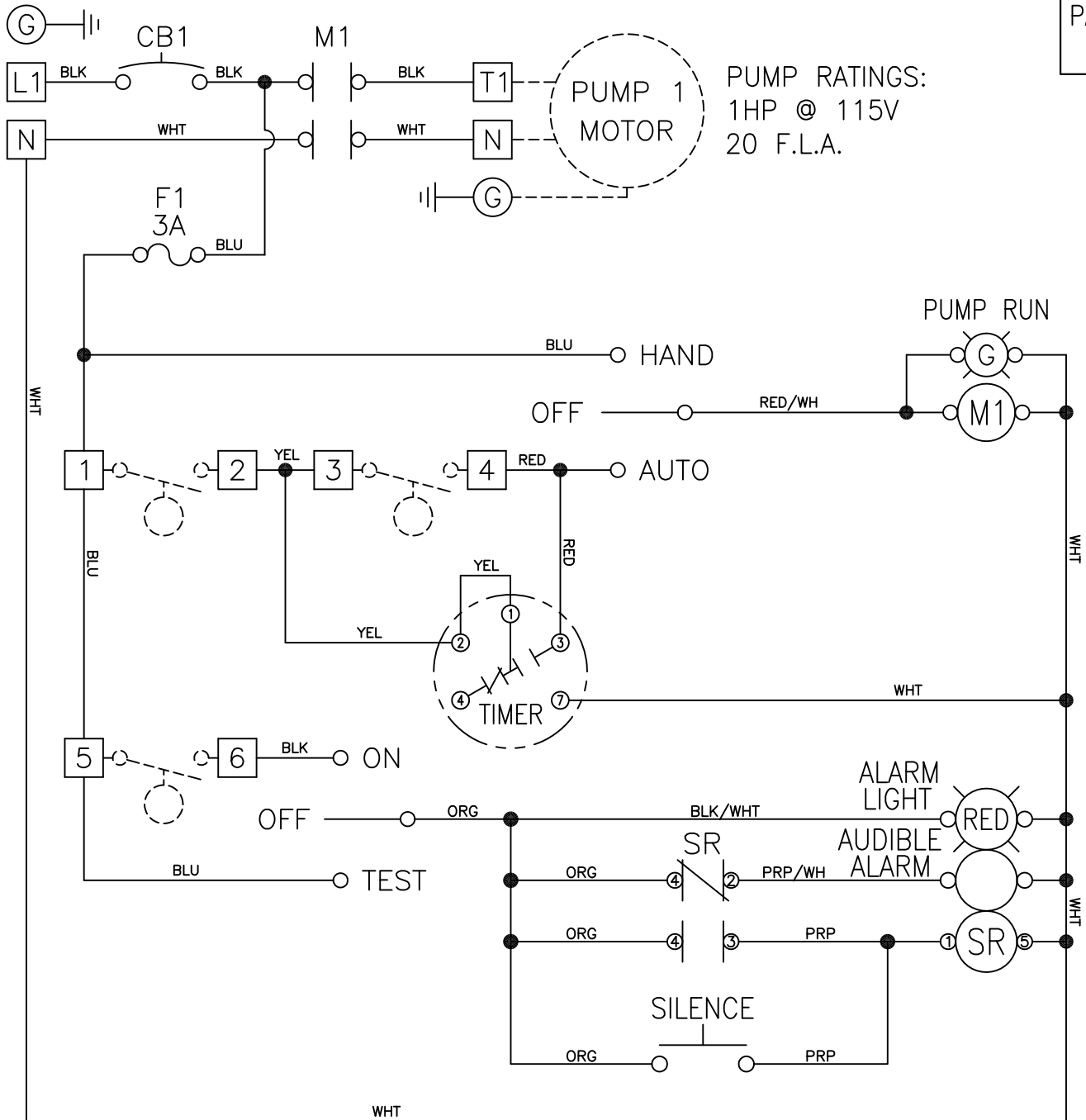


POWER CIRCUIT
115V - 1PH

NOTE: PUMP MOTOR MUST HAVE
INTERNAL OVERLOAD PROTECTION.

PUMP RATINGS:
1HP @ 115V
20 F.L.A.



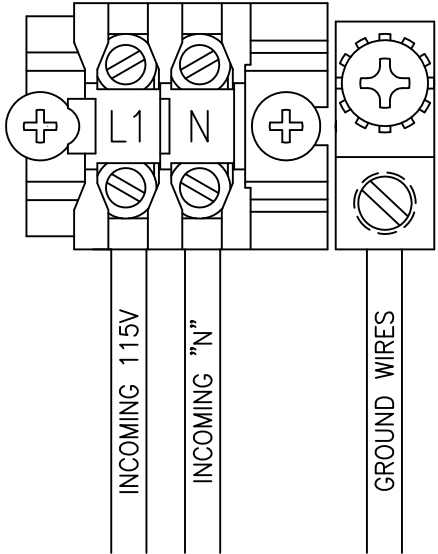
NOTES: FLOAT SWITCH TO BE RATED 2 AMP AT 120V MINIMUM.
MAIN PANEL DISCONNECT MUST BE PROVIDED BY INSTALLER.
DASHED LINES INDICATE ITEMS NOT CONTAINED IN THE PANEL.
FIELD WIRING MUST BE A MINIMUM OF 60°C COPPER WIRE.
TO PRESERVE ENVIRONMENTAL RATING OF PANEL, USE FITTINGS
AND HUBS WITH SAME ENVIRONMENTAL RATING AS ENCLOSURE



CHANGES	TOLERANCES	DRAWN BY	DATE	SCHEMATIC, ELECTRICAL	
F	DECIMALS .XXX = ±.005	C. BARRICK	09/22/16	SCALE:	PART NO.
E	.XX = ±.010	MATERIAL SPECIFICATION: AS NOTED		FULL	50A801
D	FRACTIONAL X/X = ±.1/64				
C	ANGLES x° = ±1/2°				
B					
A					

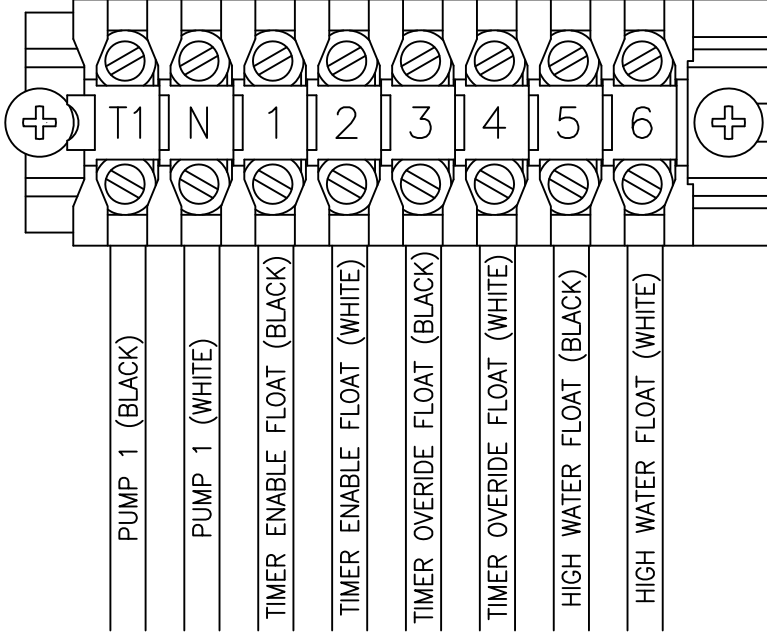
TIGHTENING TORQUE FOR TERMINAL BLOCK IS 8 in-lbs.

INCOMING POWER CONNECTIONS



CONNECTION DIAGRAM TIME DOSE CONTROL PANEL USING 115V-1PH

PUMP & FLOAT CONNECTIONS



ALL INFORMATION CONTAINED IN THIS DRAWING IS CONFIDENTIAL AND PROPRIETARY TO SEPTIC PRODUCTS INC.



CHANGES		TOLERANCES		DRAWN BY		DATE		CONNECTION DIAGRAM			
F		DECIMALS .XXX = ±.005 .XX = ±.010 FRACTIONAL X/X = ±.1/64 ANGLES X° = ±1/2°		C. BARRICK		05/18/18					
E				MATERIAL SPECIFICATION: AS NOTED				SCALE: PART NO.			
D								FULL		50A801	
C											
B											
A											