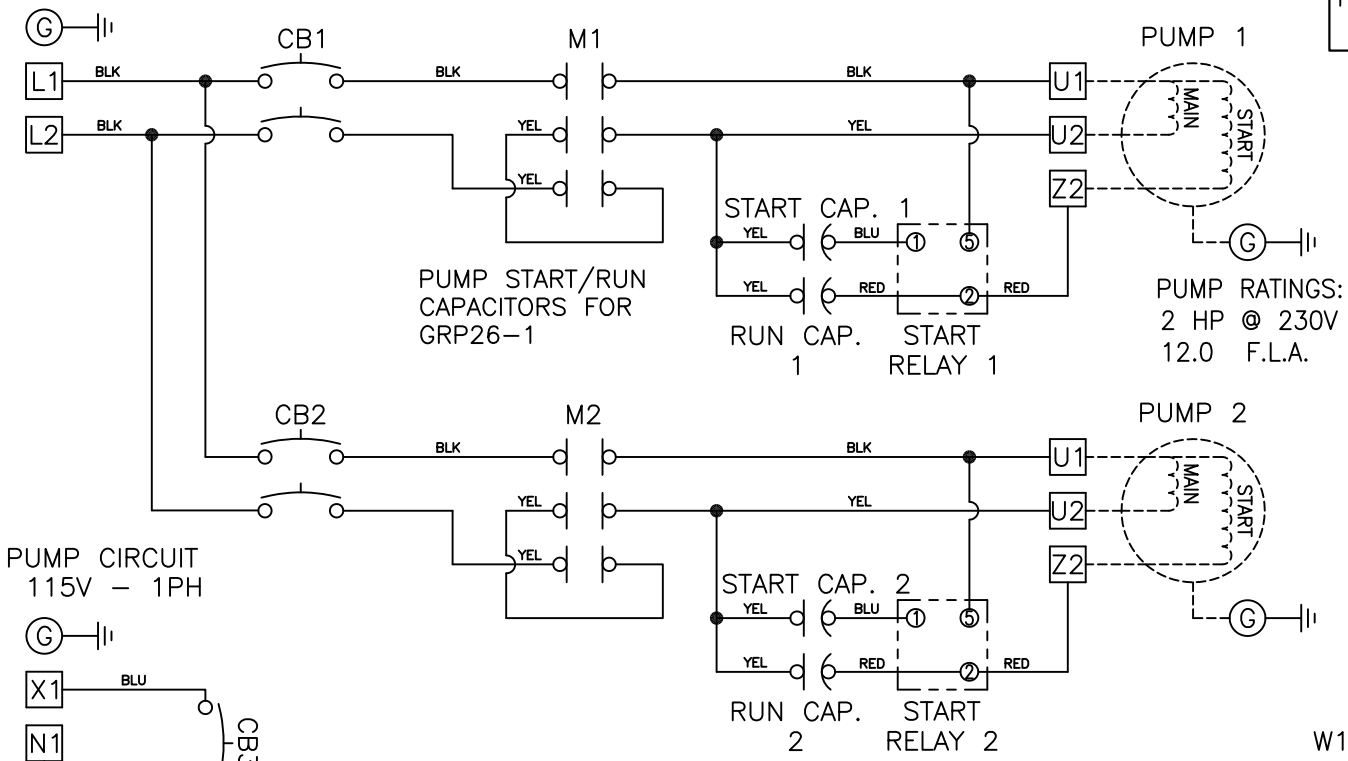


PUMP MOTORS MUST HAVE INTERNAL OVERLOAD PROTECTION.

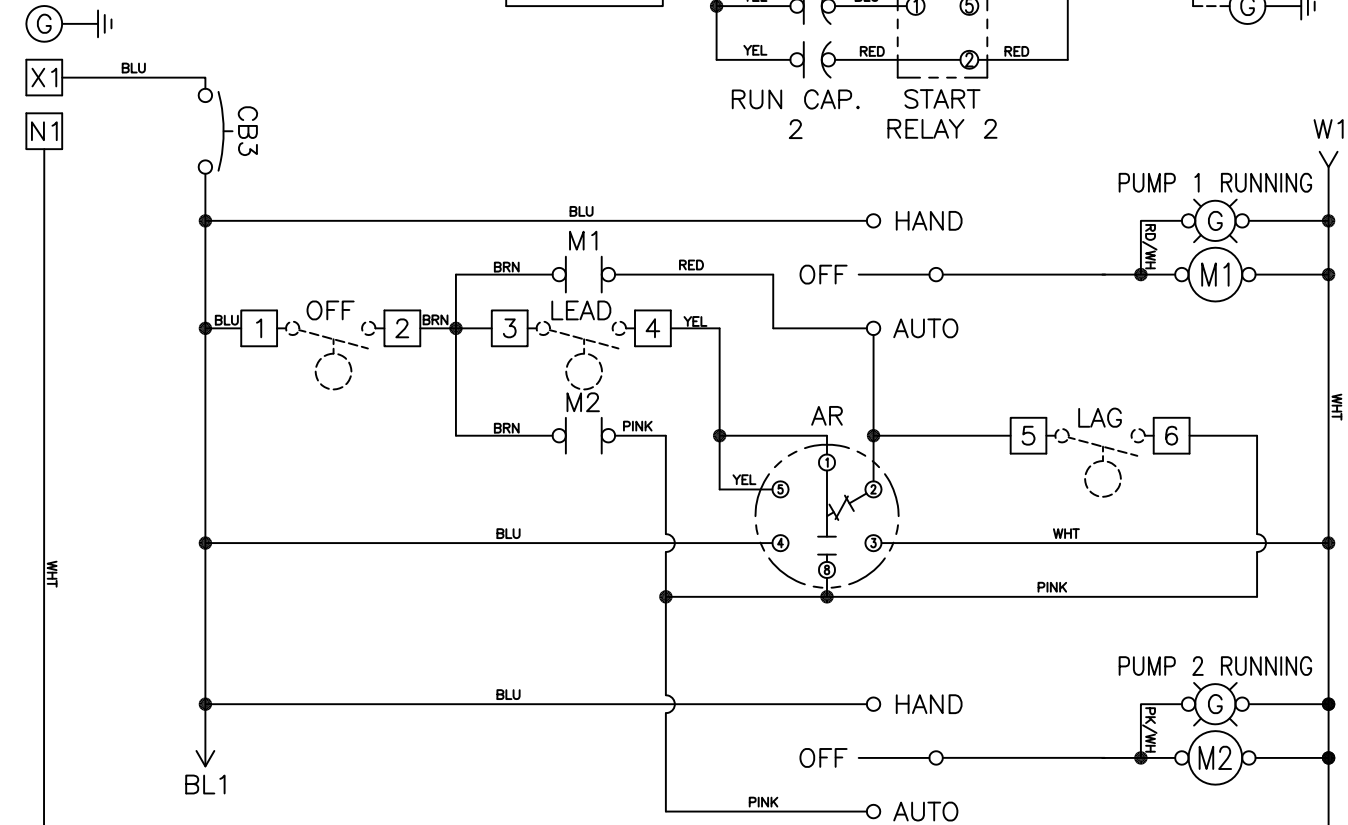
MODEL NO.
C20-GRP261

PAGE
1

PUMP CIRCUIT
230V - 1PH



PUMP CIRCUIT
115V - 1PH



NOTE: FLOAT SWITCH TO BE RATED 2 AMP AT 120V MINIMUM. MAIN PANEL DISCONNECT MUST BE PROVIDED BY INSTALLER. DASHED LINES INDICATE ITEMS NOT CONTAIN IN THE PANEL. FIELD WIRING MUST BE A MINIMUM OF 60°C COPPER WIRE. REQUIRED TORQUE FOR TERMINAL BLOCK SCREWS IS 16 in-lbs. TO PRESERVE ENVIRONMENTAL RATING OF PANEL, USE FITTINGS AND HUBS WITH SAME ENVIRONMENTAL RATING AS ENCLOSURE.

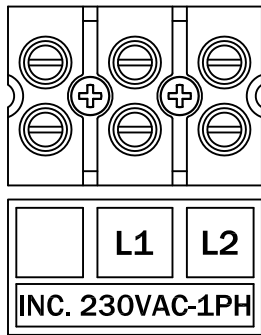
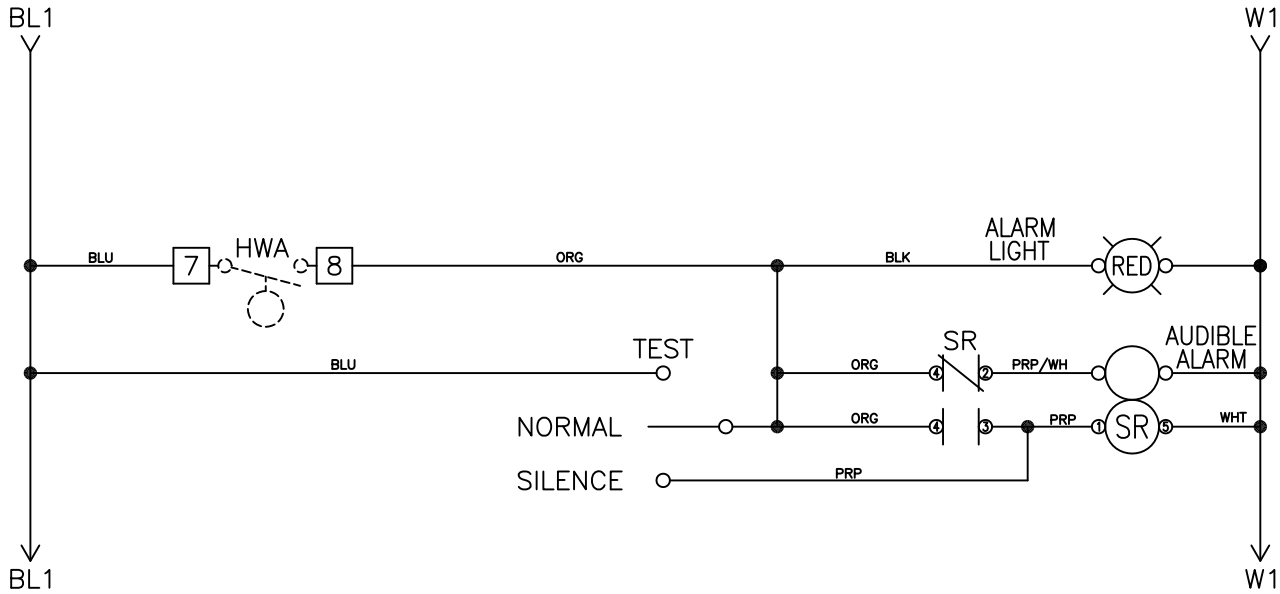
!!IMPORTANT! - THIS PANEL CONTAINS CAPACITORS BE SURE TO DISCHARGE CAPACITORS, BEFORE SERVICING. FAILURE TO DO SO MAY RESULT IN DEATH OR SERIOUS INJURY.



CHANGES	TOLERANCES	DRAWN BY	DATE
F	DECIMALS .XXX = ±.005	C. BARRICK	6/21/2019
E	.XX = ±.010	MATERIAL SPECIFICATION: AS NOTED	
D	FRACTIONAL X/X = ±.1/64		
C	ANGLES X° = ±1/2°		
B			
A			

SCHEMATIC, ELECTRICAL

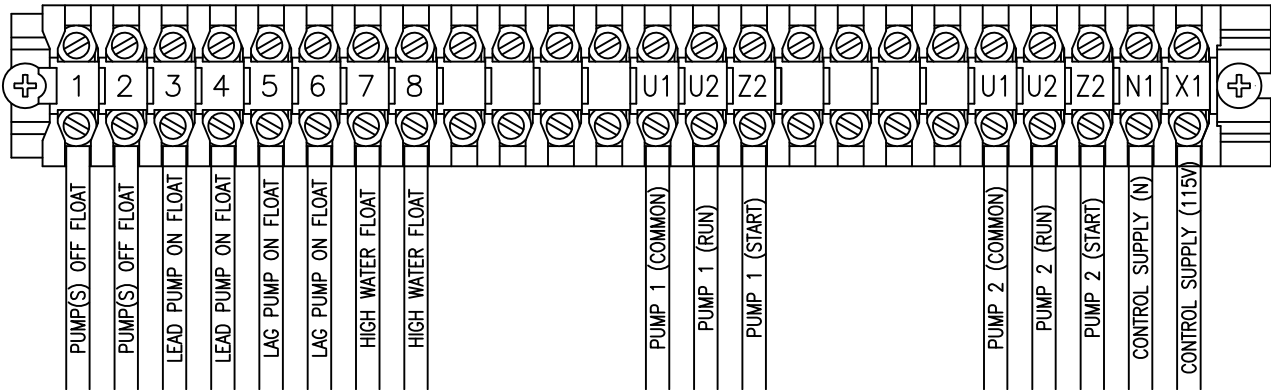
SCALE: PART NO.
FULL 50A750



INCOMING POWER
TIGHTENING TORQUE FOR TERMINAL
BLOCK IS 16 in-lbs.

PUMP & CONTROL CONNECTIONS

TIGHTENING TORQUE FOR TERMINAL BLOCK IS 16 in-lbs.



CHANGES	TOLERANCES
F	DECIMALS
E	.XXX = ±.005
D	.XX = ±.010
C	FRACTIONAL
B	x/x = ±.1/64
A	ANGLES
	x° = ±1/2°

CHANGES	TOLERANCES
F	DECIMALS
E	.XXX = ±.005
D	.XX = ±.010
C	FRACTIONAL
B	x/x = ±.1/64
A	ANGLES
	x° = ±1/2°

DRAWN BY	DATE
C. BARRICK	6/21/2019
MATERIAL SPECIFICATION:	
AS NOTED	

SCHEMATIC, ELECTRICAL	
SCALE:	PART NO.
FULL	50A750