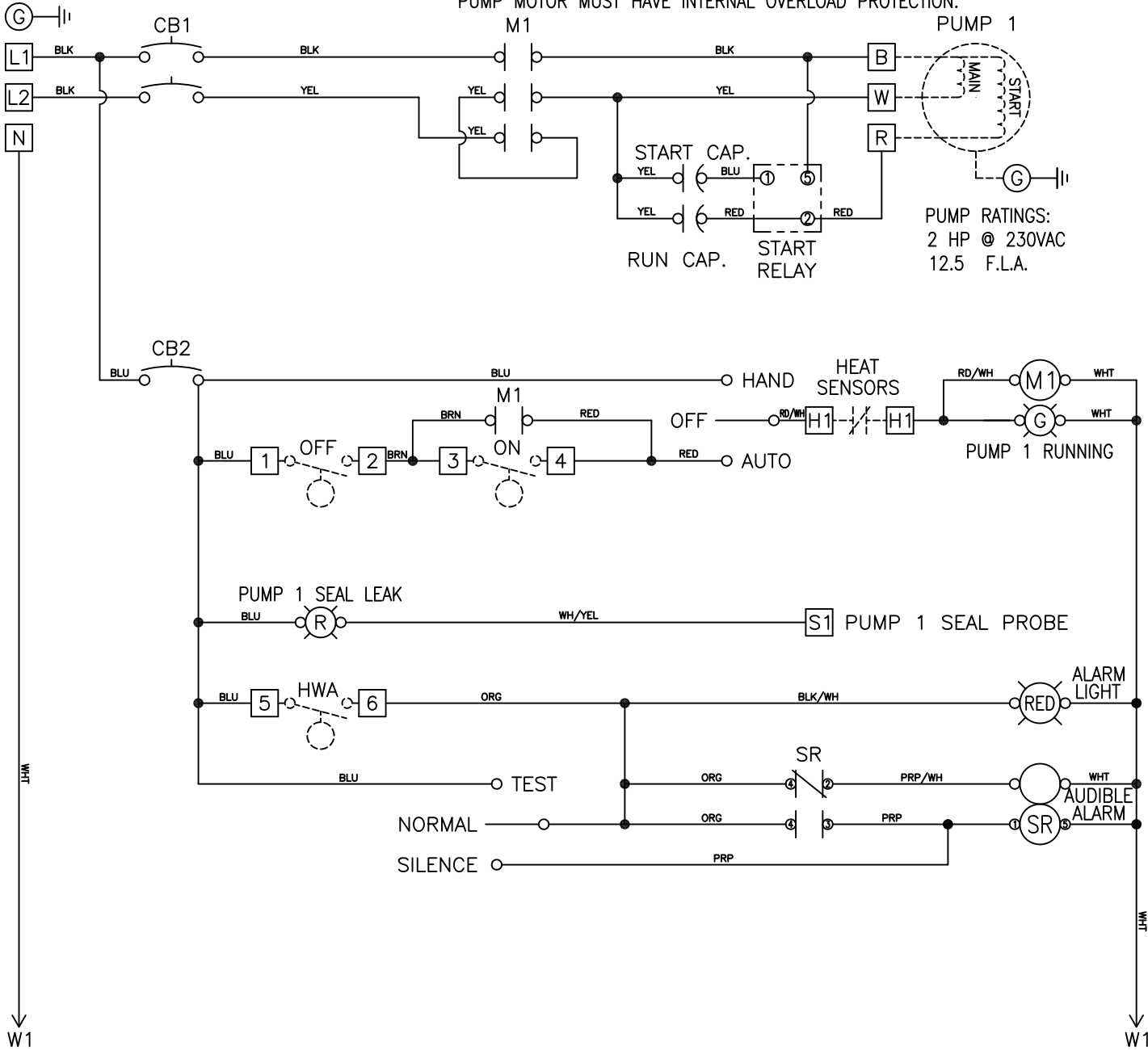


INCOMING POWER CIRCUIT  
115/230VAC - 1PH

PUMP MOTOR MUST HAVE INTERNAL OVERLOAD PROTECTION.



NOTES: FLOAT SWITCH TO BE RATED 2 AMP AT 120V MINIMUM.  
 MAIN PANEL DISCONNECT MUST BE PROVIDED BY INSTALLER.  
 DASHED LINES INDICATE ITEMS NOT CONTAIN IN THE PANEL.  
 REQUIRED TORQUE FOR TERMINAL BLOCK SCREWS IS 16 in-lbs.  
 FIELD WIRING MUST BE A MINIMUM OF 60°C COPPER WIRE.

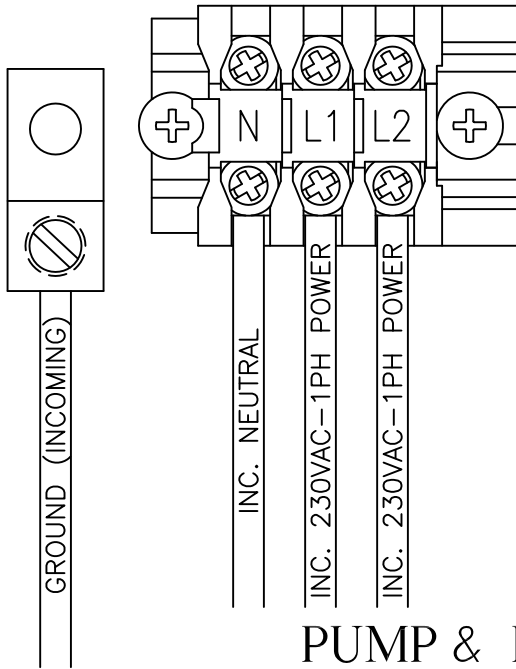
	CHANGES	TOLERANCES	DRAWN BY	DATE	SCHEMATIC, ELECTRICAL SIMPLEX GRINDER	
	F	DECIMALS .XXX = ±.005	D. MIDDLETON	10/15/18	SCALE: GRINDER NO.	
	E	FRACTIONAL .XX = ±.010	MATERIAL SPECIFICATION:		FULL	WGL20-21
	D	ANGLES X/X = ±.1/64	AS NOTED			
	C	ANGLES X' = ±1/2'				
	B					
A						

# POWER CONNECTIONS

PANEL NO.

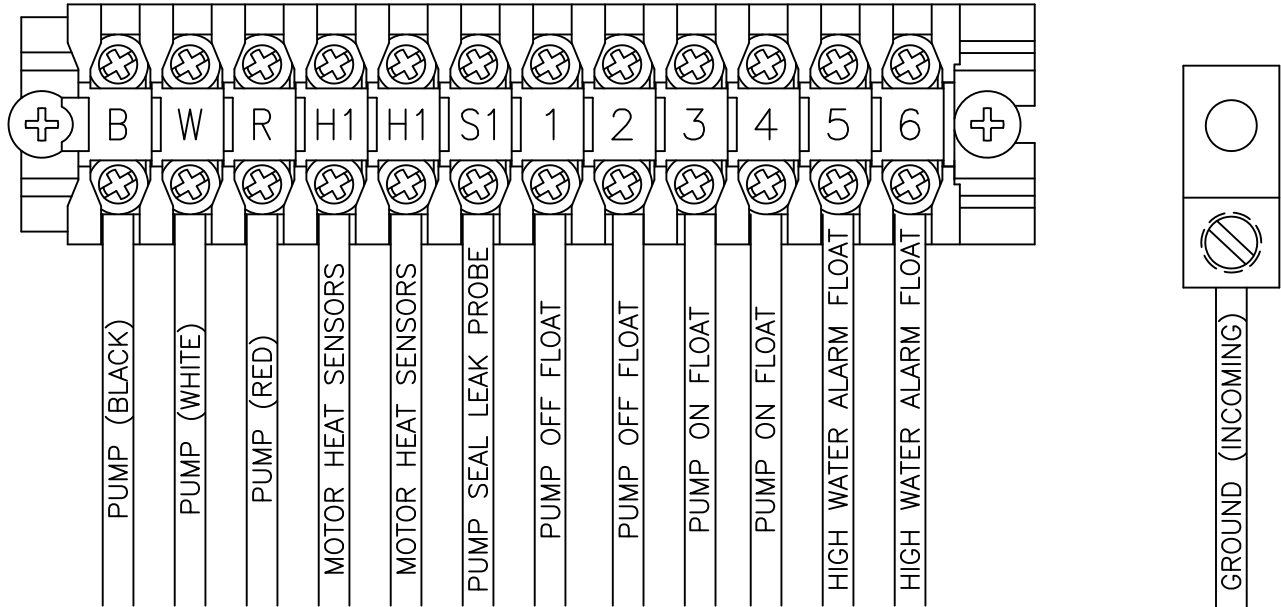
50A700-C6C7

TIGHTENING TORQUE FOR TERMINAL BLOCK IS 16 in-lbs.



# PUMP & FLOAT CONNECTIONS

TIGHTENING TORQUE FOR TERMINAL BLOCK IS 16 in-lbs.



CHANGES	TOLERANCES	DRAWN BY	DATE	POWER CONNECTION DIAGRAM SIMPLEX(230V)	
F	DECIMALS .xxx = ±.005 .xx = ±.010 FRACTIONAL x/x = ±.1/64 ANGLES x° = ±1/2°	D. MIDDLETON	10/15/18	SCALE: PUMP MODEL: FULL WGL20-21	
E		MATERIAL SPECIFICATION:  AS NOTED			
D					
C					
B					
A					