

# CONNECTION DIAGRAM

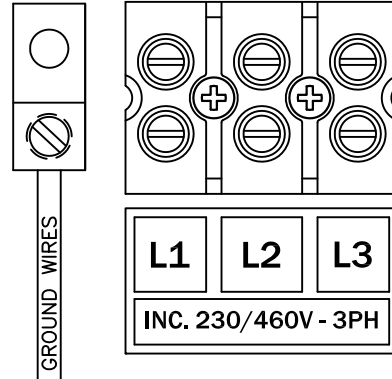
MODEL NO.

SDC3B24

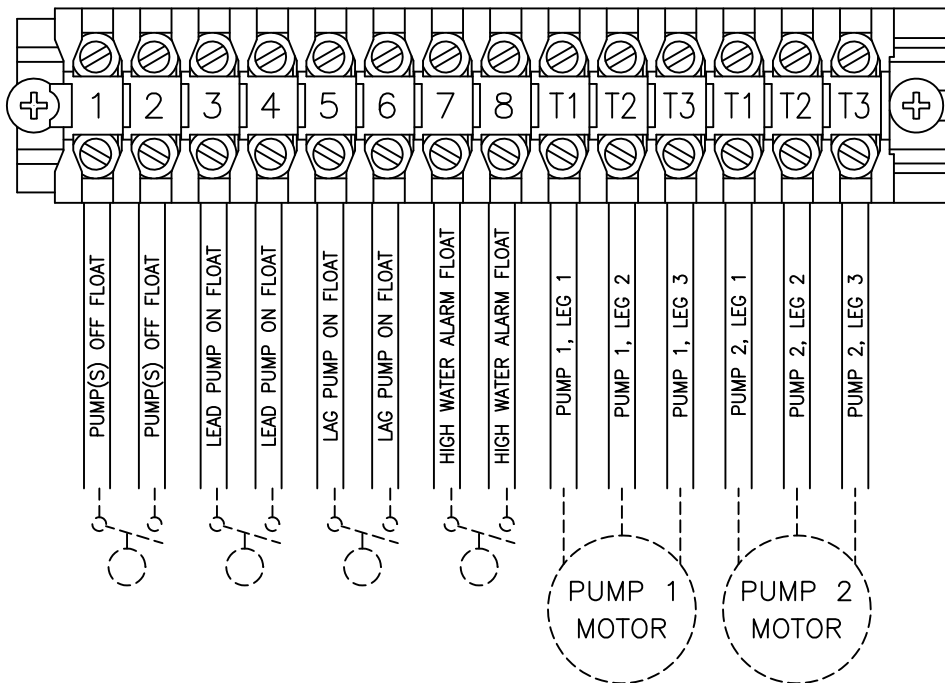
PAGE

1

INCOMING POWER  
TIGHTENING TORQUE - 16 IN-LBS



## PUMP & FLOAT CONNECTIONS



ALL INFORMATION CONTAINED IN THIS DRAWING IS  
CONFIDENTIAL AND PROPRIETARY TO SEPTIC PRODUCTS INC.



CHANGES	TOLERANCES	DRAWN BY	DATE
F	DECIMALS .xxx = ±.005	C. BARRICK	8/4/2022
E	.xx = ±.010	MATERIAL SPECIFICATION:  AS NOTED	
D	FRACTIONAL		
C	x/x = ±.1/64		
B	ANGLES		
A	x' = ±1/2'		

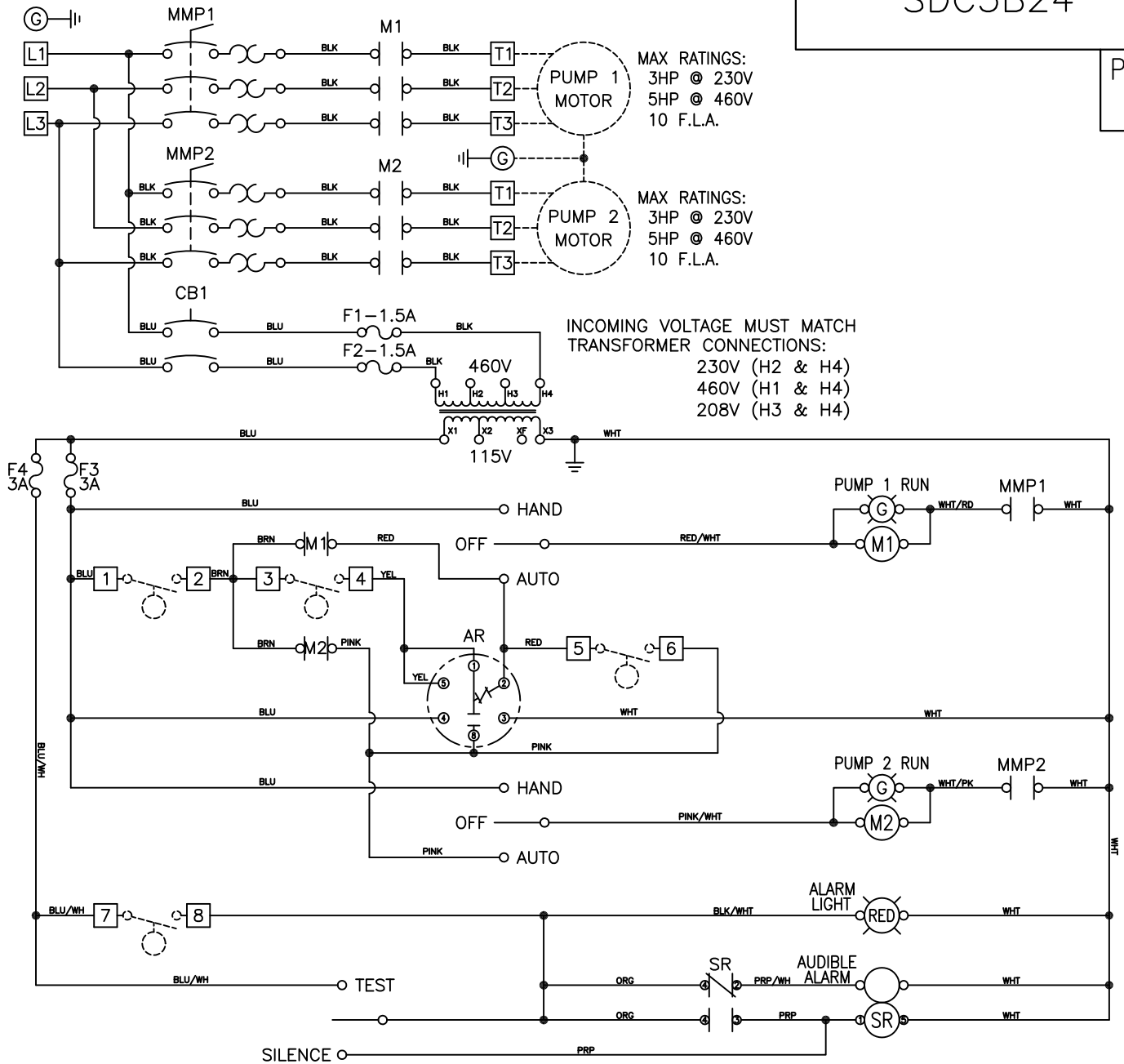
CONNECTION DIAGRAM	
SCALE:	PART NO.
FULL	50A516

POWER CIRCUIT (3 WIRE SERVICE)  
230/460V - 3PH - 60Hz

MODEL NO.

SDC3B24

PAGE  
2



NOTES: FLOAT SWITCH TO BE RATED 2 AMP AT 120V MINIMUM.  
MAIN PANEL DISCONNECT MUST BE PROVIDED BY INSTALLER.  
DASHED LINES INDICATE ITEMS NOT CONTAIN IN THE PANEL.  
FIELD WIRING MUST BE A MINIMUM OF 60°C COPPER WIRE.  
ALL INFORMATION CONTAINED IN THIS DRAWING IS CONFIDENTIAL  
AND PROPRIETARY TO SEPTIC PRODUCTS INC.



CHANGES	TOLERANCES	DRAWN BY	DATE	SCHEMATIC, ELECTRICAL	
F	DECIMALS	C. BARRICK	8/4/2022	SCALE:	PART NO.
E	.XXX = ±.005	MATERIAL SPECIFICATION:  AS NOTED		FULL	50A516
D	.XX = ±.010				
C	FRACTIONAL				
B	X/X = ±.1/64				
A	ANGLES				
	X' = ±1/2"				