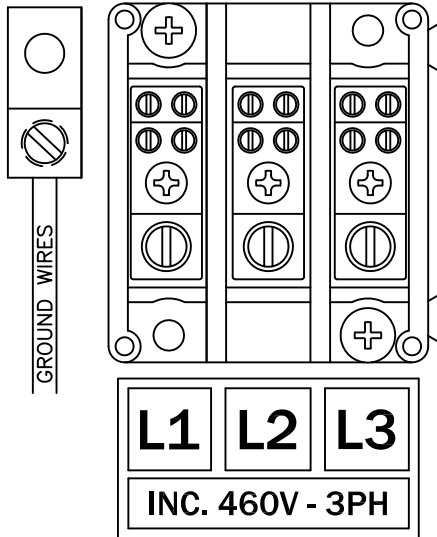


# INCOMING POWER

TIGHTENING TORQUE: 8-14AWG = 35 IN-LBS

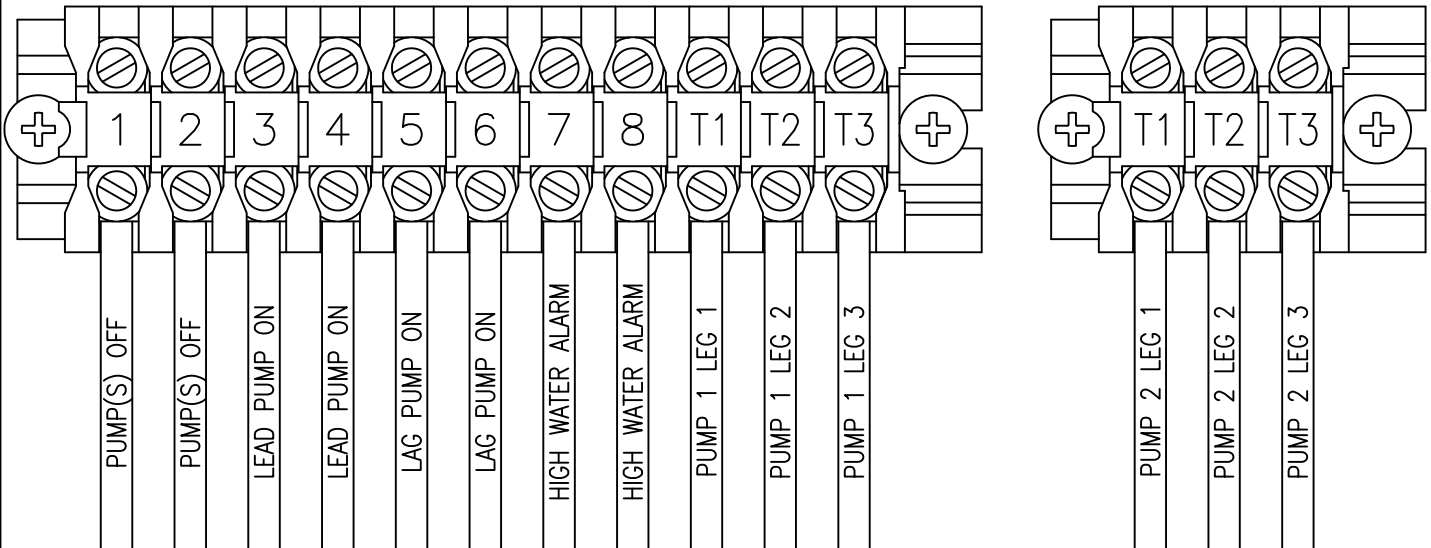
4-6AWG = 45 IN-LBS

2-3AWG = 50 IN-LBS



# FLOAT & PUMP CONNECTIONS

TIGHTENING TORQUE - 16 IN-LBS



ALL INFORMATION CONTAINED IN THIS DRAWING IS  
CONFIDENTIAL AND PROPRIETARY TO SEPTIC PRODUCTS INC.



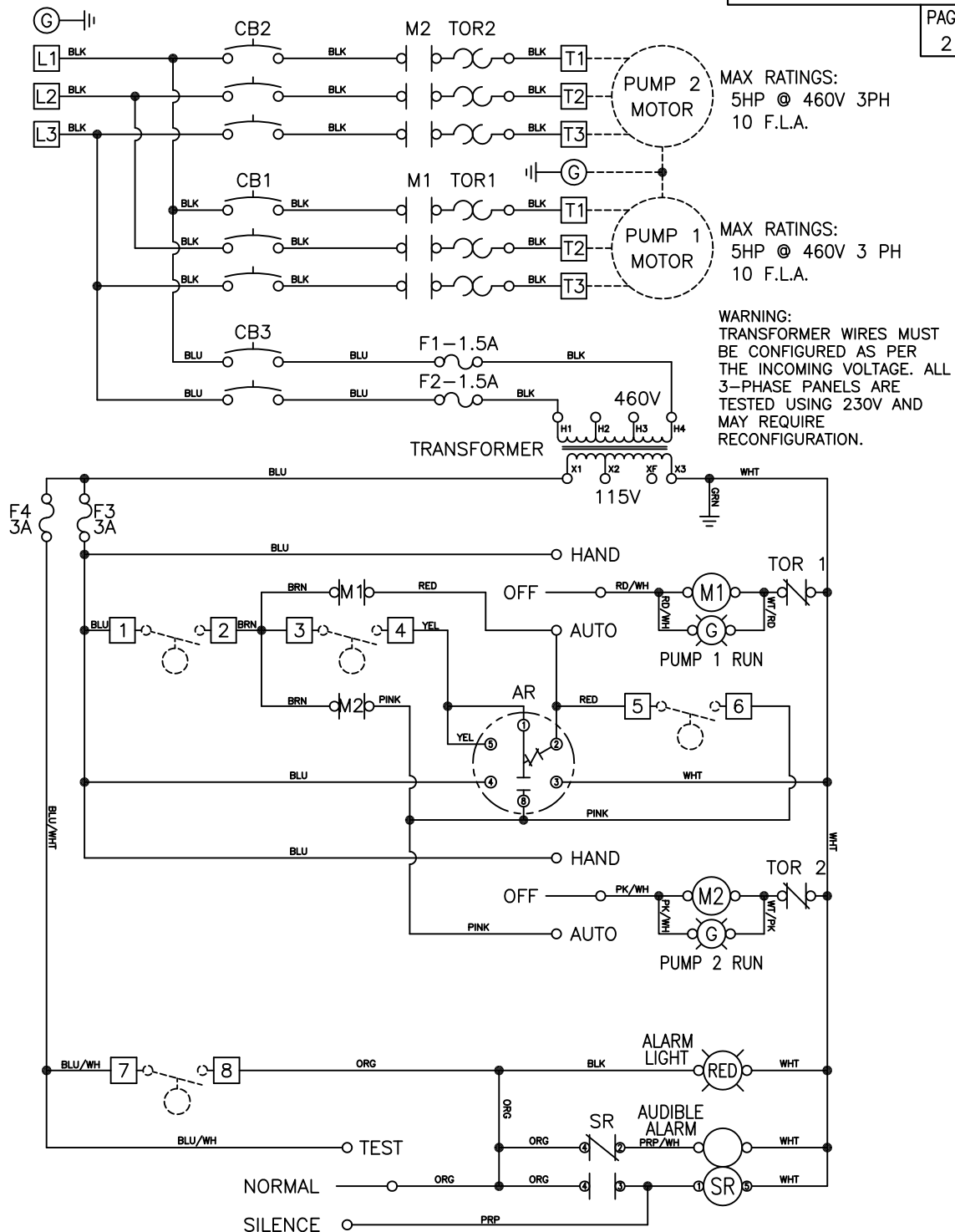
CHANGES	TOLERANCES	DRAWN BY	DATE
F	DECIMALS .XXX = ±.005 .XX = ±.010 FRACTIONAL X/X = ±.1/64 ANGLES X° = ±1/2°	C. BARRICK	1/22/2019
E		MATERIAL SPECIFICATION:  AS NOTED	
D			
C			
B			
A			

CONNECTION DIAGRAM	
SCALE:	PART NO.
FULL	50A510

POWER CIRCUIT (3 WIRE SERVICE)  
460V - 3PH - 60Hz

MODEL NO. 10

PAGE 2



NOTES: FLOAT SWITCH TO BE RATED 2 AMP AT 120V MINIMUM.  
MAIN PANEL DISCONNECT MUST BE PROVIDED BY INSTALLER.  
DASHED LINES INDICATE ITEMS NOT CONTAINED IN THE PANEL.  
REQUIRED TORQUE FOR TERMINAL BLOCK SCREWS IS 16 in-lbs.  
FIELD WIRING MUST BE A MINIMUM OF 60°C COPPER WIRE.

ALL INFORMATION CONTAINED IN THIS DRAWING IS CONFIDENTIAL AND PROPRIETARY TO SEPTIC PRODUCTS INC.



CHANGES	TOLERANCES	DRAWN BY	DATE
F	DECIMALS .XXX = ±.005 .XX = ±.010	C. BARRICK	10/8/2013
E	FRACTIONAL X/X = ±.1/64 ANGLES X' = ±1/2'	MATERIAL SPECIFICATION:  AS NOTED	
D			
C			
B			
A			

SCHEMATIC, ELECTRICAL	
SCALE:	PART NO.
FULL	50A510