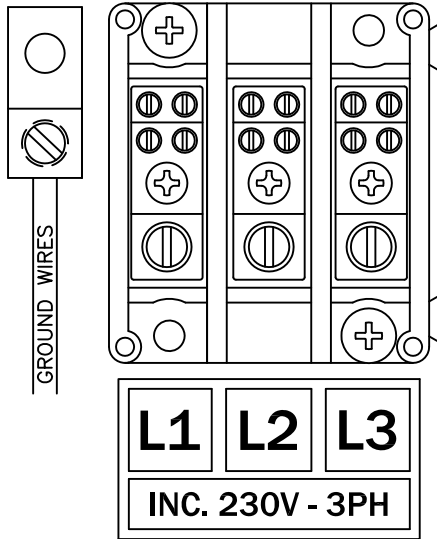


INCOMING POWER

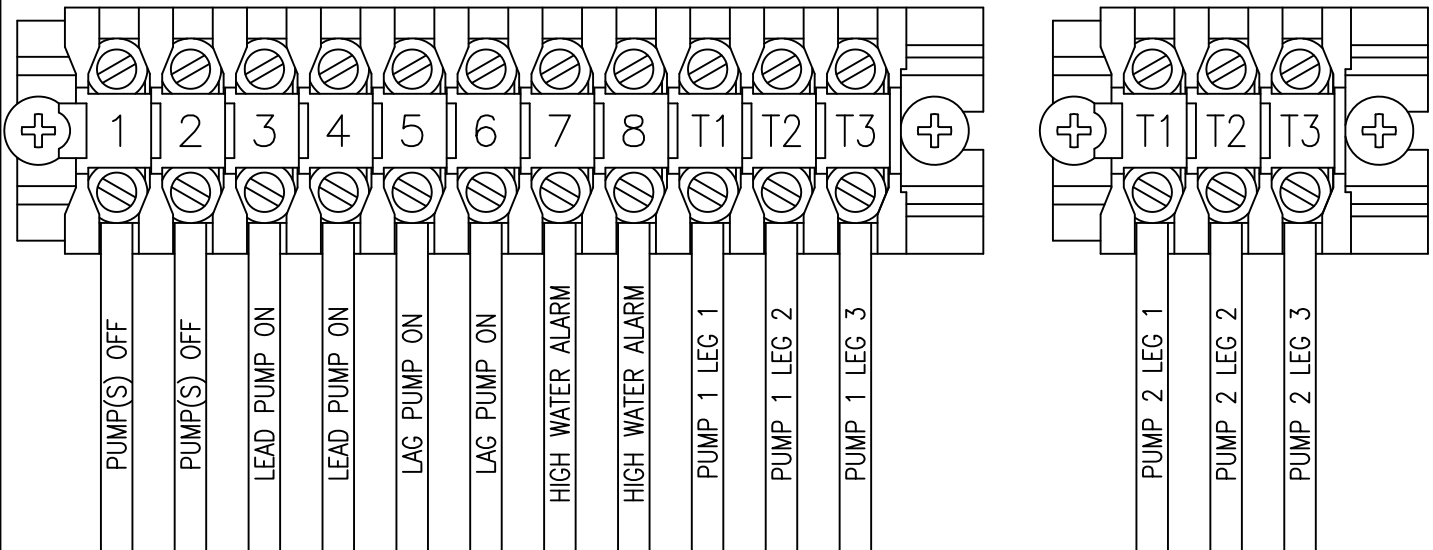
TIGHTENING TORQUE: 8-14AWG = 35 IN-LBS
 4-6AWG = 45 IN-LBS
 2-3AWG = 50 IN-LBS



CONNECTION DIAGRAM 230V 3PH DUPLEX

FLOAT & PUMP CONNECTIONS

TIGHTENING TORQUE - 16 IN-LBS



ALL INFORMATION CONTAINED IN THIS DRAWING IS
 CONFIDENTIAL AND PROPRIETARY TO SEPTIC PRODUCTS INC.



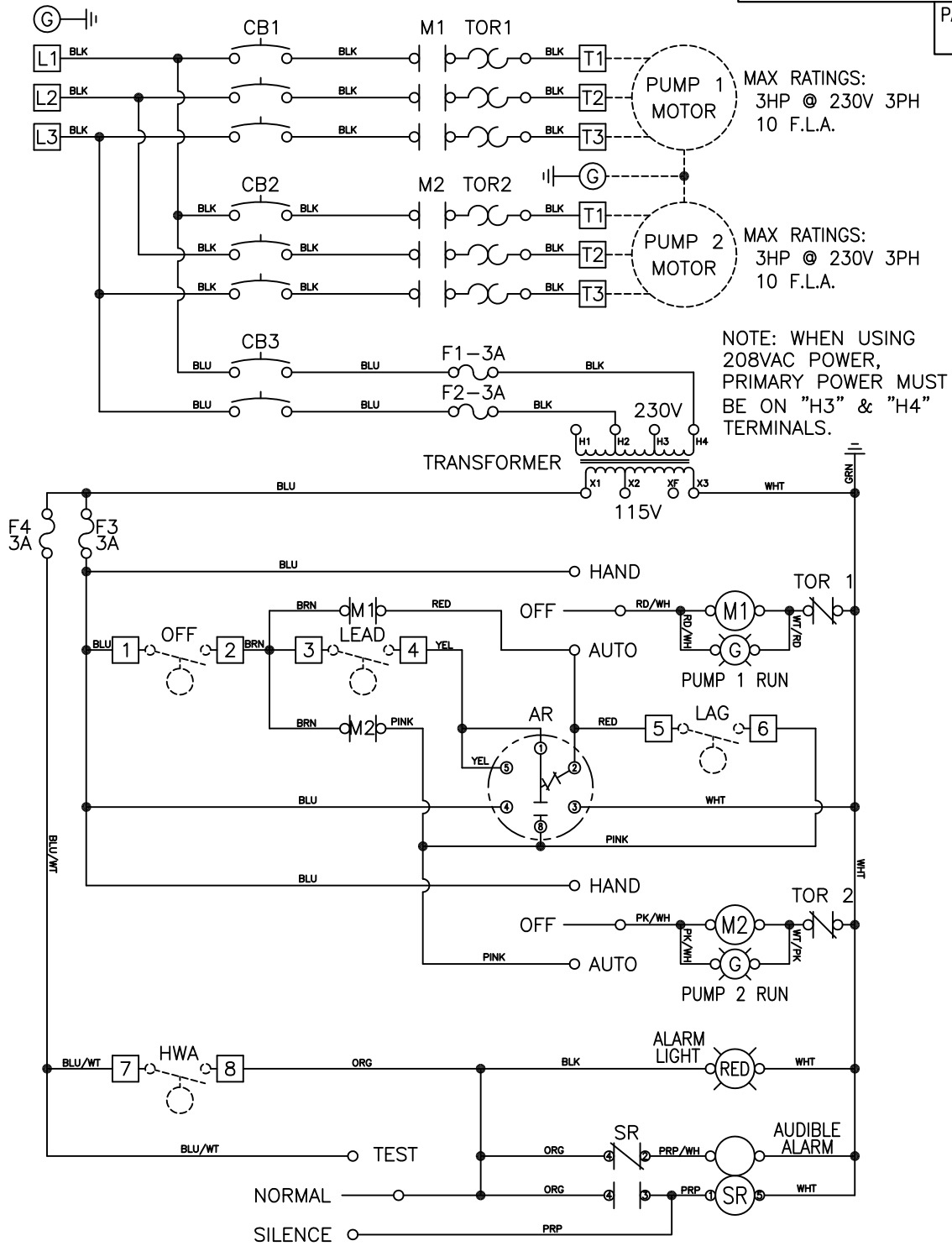
CHANGES	TOLERANCES	DRAWN BY	DATE	CONNECTION DIAGRAM	
F	DECIMALS .XXX = ±.005 .XX = ±.010 FRACTIONAL X/X = ±.1/64 ANGLES X° = ±1/2°	C. BARRICK	10/8/18		
E		MATERIAL SPECIFICATION:			
D		AS NOTED		SCALE:	PART NO.
C				FULL	50A509
B					
A					

POWER CIRCUIT (3 WIRE SERVICE)
230V - 3PH - 60Hz

MODEL NO.

10

PAGE
2



NOTES: FLOAT SWITCH TO BE RATED 2 AMP AT 120V MINIMUM.
MAIN PANEL DISCONNECT MUST BE PROVIDED BY INSTALLER.
DASHED LINES INDICATE ITEMS NOT CONTAINED IN THE PANEL.
FIELD WIRING MUST BE A MINIMUM OF 60°C COPPER WIRE.

ALL INFORMATION CONTAINED IN THIS DRAWING IS
CONFIDENTIAL AND PROPRIETARY TO SEPTIC PRODUCTS INC.



CHANGES	TOLERANCES	DRAWN BY	DATE
F	DECIMALS	C. BARRICK	8/1/2022
E	.xxx = ±.005	MATERIAL SPECIFICATION:	
D	.xx = ±.010		
C	FRACTIONAL	AS NOTED	
B	x/x = ±.1/64		
A	ANGLES		
	x' = ±1/2'		

SCHEMATIC, ELECTRICAL

SCALE: PART NO.
FULL 50A509