

TIGHTENING TORQUE FOR TERMINAL BLOCK IS 9 in-lbs.

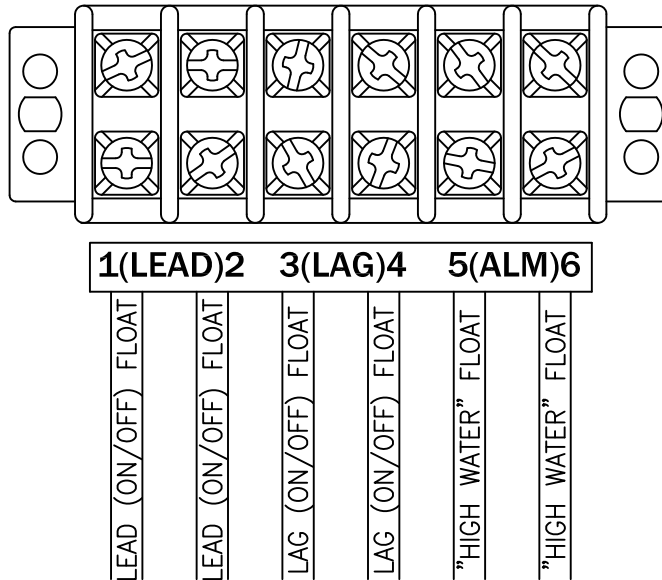
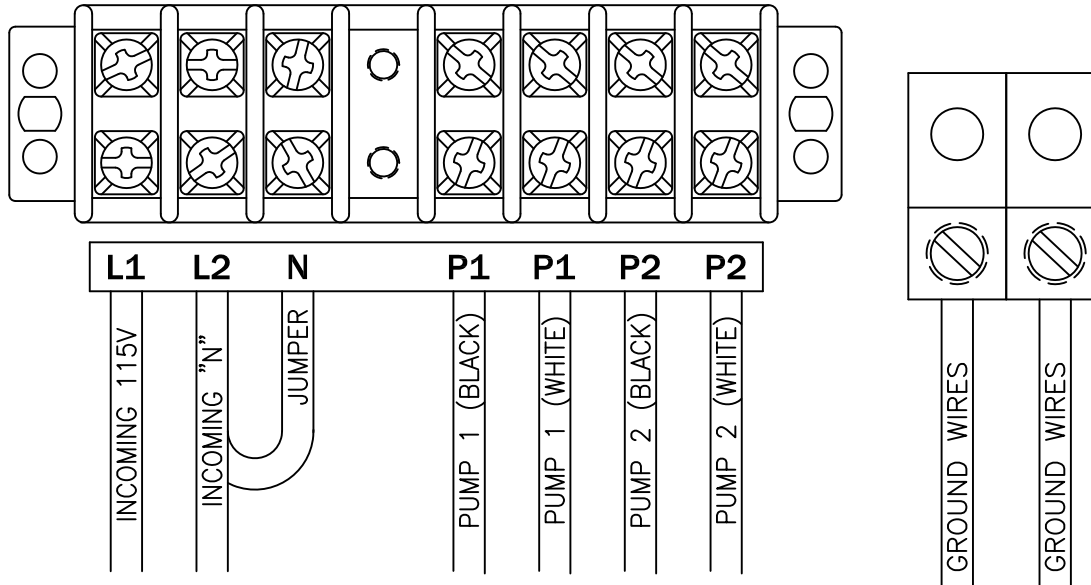
MODEL NO.

SDC12BB

PAGE

1

USE THIS PAGE FOR 115V PUMPS



ALL INFORMATION CONTAINED IN THIS DRAWING IS CONFIDENTIAL AND PROPRIETARY TO SEPTIC PRODUCTS INC.



CHANGES	TOLERANCES	DRAWN BY	DATE	POWER CONNECTION DUPLEX(BASIC)
F	DECIMALS .XXX = ±.005 .XX = ±.010 FRACTIONAL X/X = ±.1/64 ANGLES X° = ±1/2°	D. MIDDLETON	11/14/06	
E		MATERIAL SPECIFICATION:		
D		AS NOTED		SCALE: PART NO.
C				FULL 50A506B
B				
A				

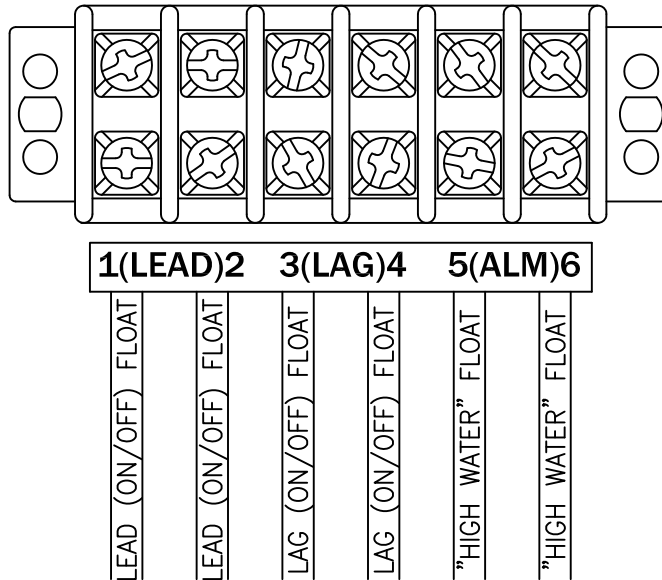
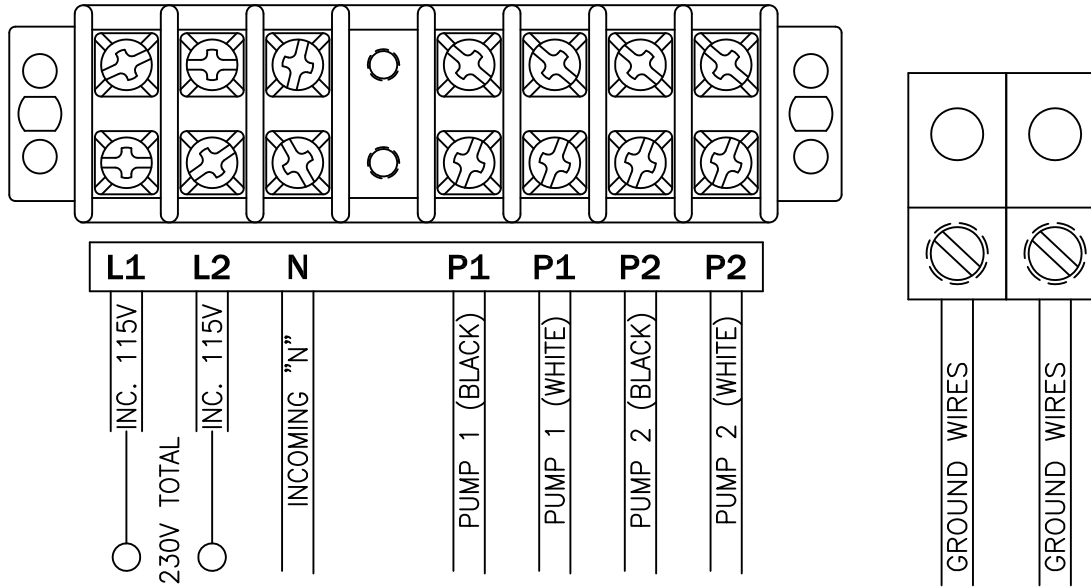
TIGHTENING TORQUE FOR TERMINAL BLOCK IS 9 in-lbs.

MODEL NO.

SDC12BB

PAGE
2

USE THIS PAGE FOR 230V PUMPS



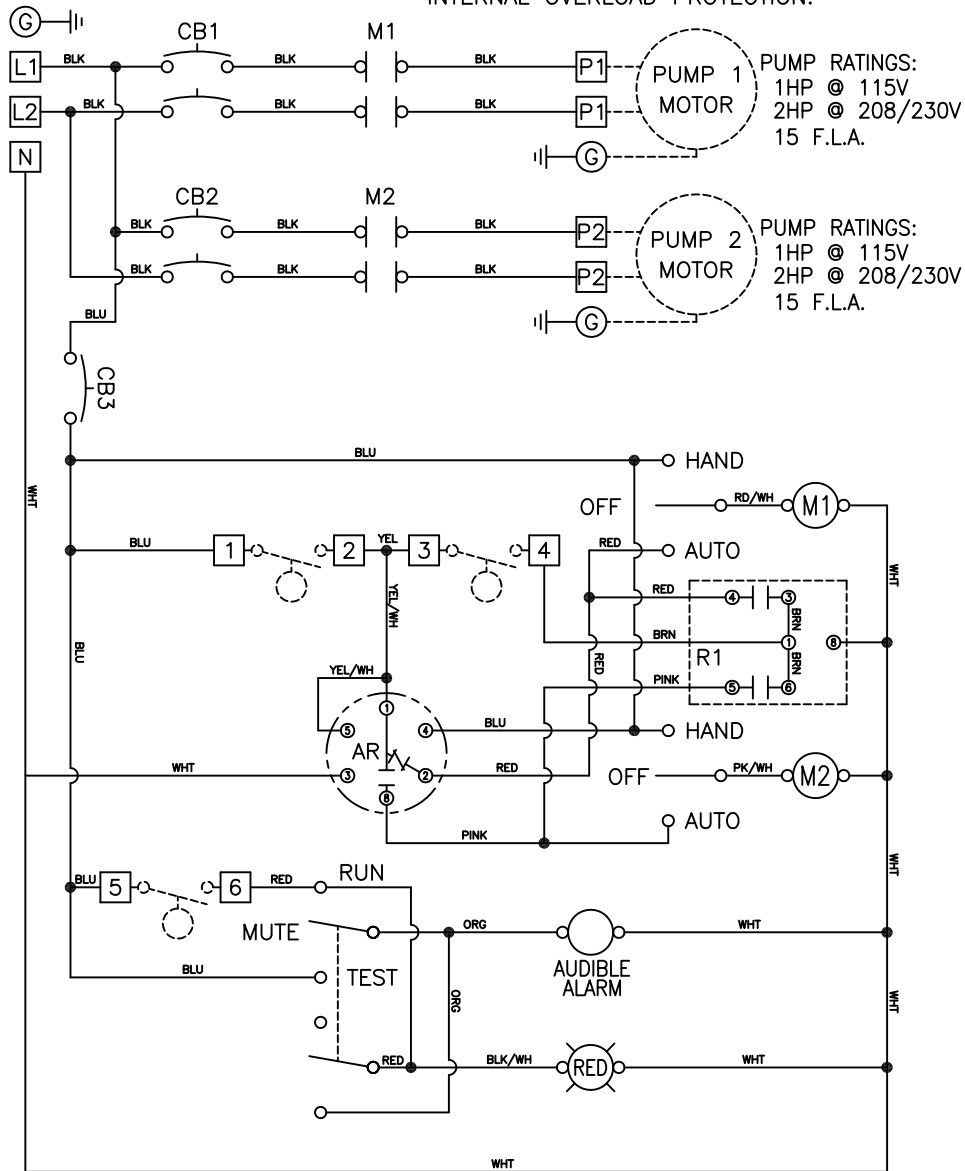
ALL INFORMATION CONTAINED IN THIS DRAWING IS
CONFIDENTIAL AND PROPRIETARY TO SEPTIC PRODUCTS INC.



CHANGES	TOLERANCES	DRAWN BY	DATE	POWER CONNECTION DUPLEX(BASIC)
F	DECIMALS .XXX = ±.005 .XX = ±.010 FRACTIONAL X/X = ±.1/64 ANGLES X° = ±1/2°	D. MIDDLETON	11/14/06	
E		MATERIAL SPECIFICATION:		
D		AS NOTED		
C		SCALE:	PART NO.	
B		FULL	50A506B	
A				

POWER CIRCUIT
115/208/230V - 1PH

NOTE: PUMP MOTORS MUST HAVE
INTERNAL OVERLOAD PROTECTION.



NOTES: MAIN PANEL DISCONNECT MUST BE PROVIDED BY INSTALLER.
DASHED LINES INDICATE ITEMS NOT CONTAINED IN THE PANEL.
REQUIRED TORQUE FOR TERMINAL BLOCK SCREWS IS 9 in-lbs.
FIELD WIRING MUST BE A MINIMUM OF 60°C COPPER WIRE.

ALL INFORMATION CONTAINED IN THIS DRAWING
IS CONFIDENTIAL AND
PROPRIETARY TO SEPTIC PRODUCTS INC.



CHANGES	TOLERANCES	DRAWN BY	DATE
F	DECIMALS	D. MIDDLETON	11/14/06
E	.XXX = ±.005	MATERIAL SPECIFICATION:	
D	.XX = ±.010		
C	FRACTIONAL	AS NOTED	
B	X/X = ±.1/64		
A	ANGLES X° = ±1/2°		

SCHEMATIC, ELECTRICAL
DUPLX (BASIC)

SCALE: PART NO.
FULL 50A506B