

TIGHTENING TORQUE FOR TERMINAL BLOCK IS 16 in-lbs.

MODEL NO.

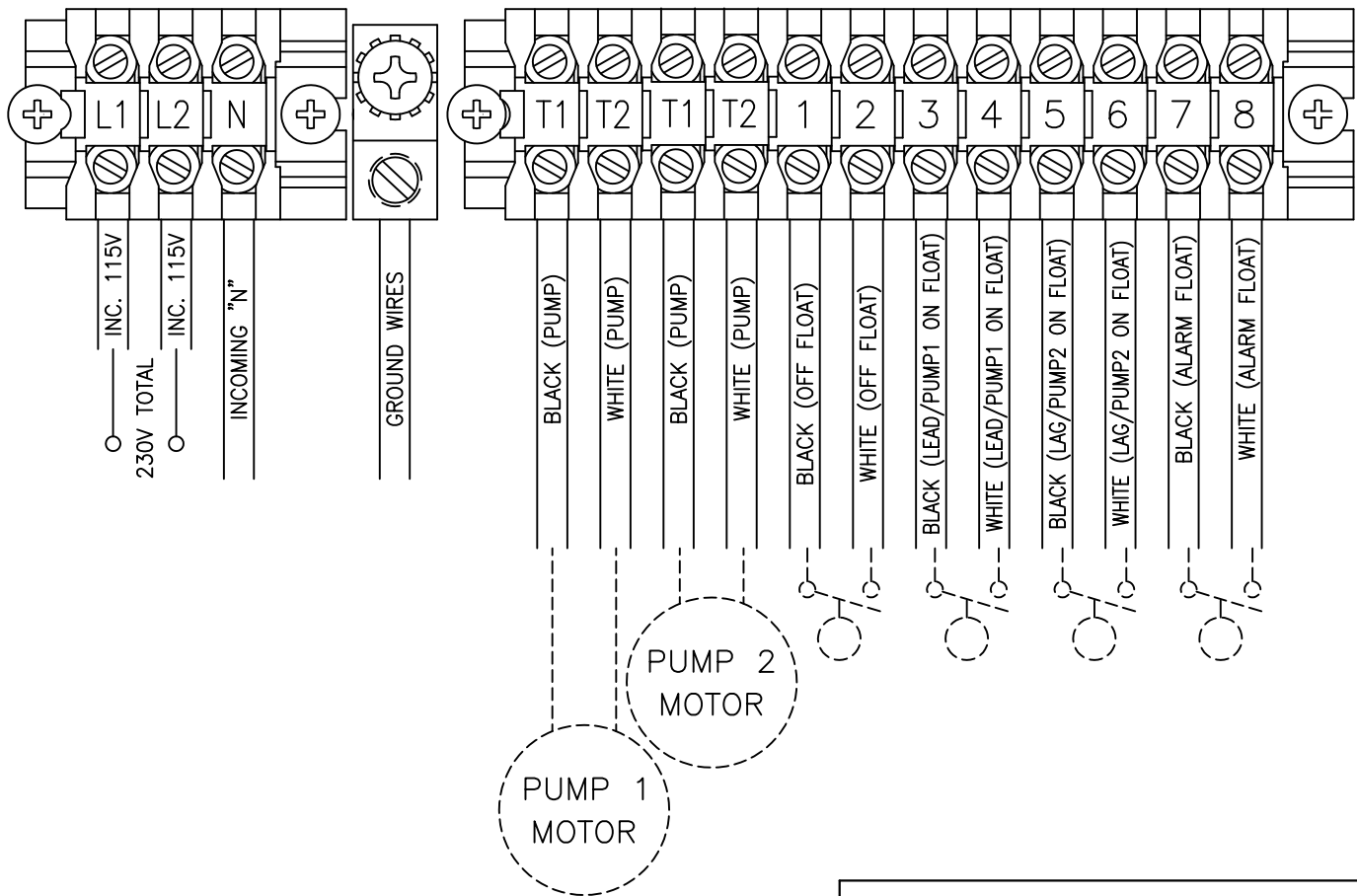
SDC2B

PAGE  
1

# CONNECTION DIAGRAM (4 FLOAT SYSTEM)

## INCOMING POWER CONNECTIONS

## PUMP & FLOAT CONNECTIONS



ALL INFORMATION CONTAINED IN THIS DRAWING IS  
CONFIDENTIAL AND PROPRIETARY TO SEPTIC PRODUCTS INC.



CHANGES	TOLERANCES	DRAWN BY	DATE	CONNECTION DIAGRAM	
F	DECIMALS .XXX = ±.005 .XX = ±.010 FRACTIONAL X/X = ±.1/64 ANGLES X° = ±1/2°	C. BARRICK	05/28/09	SCALE:	PART NO.
E		MATERIAL SPECIFICATION:  AS NOTED		FULL	50A502
D					
C					
B					
A					

TIGHTENING TORQUE FOR TERMINAL BLOCK IS 16 in-lbs.

MODEL NO.

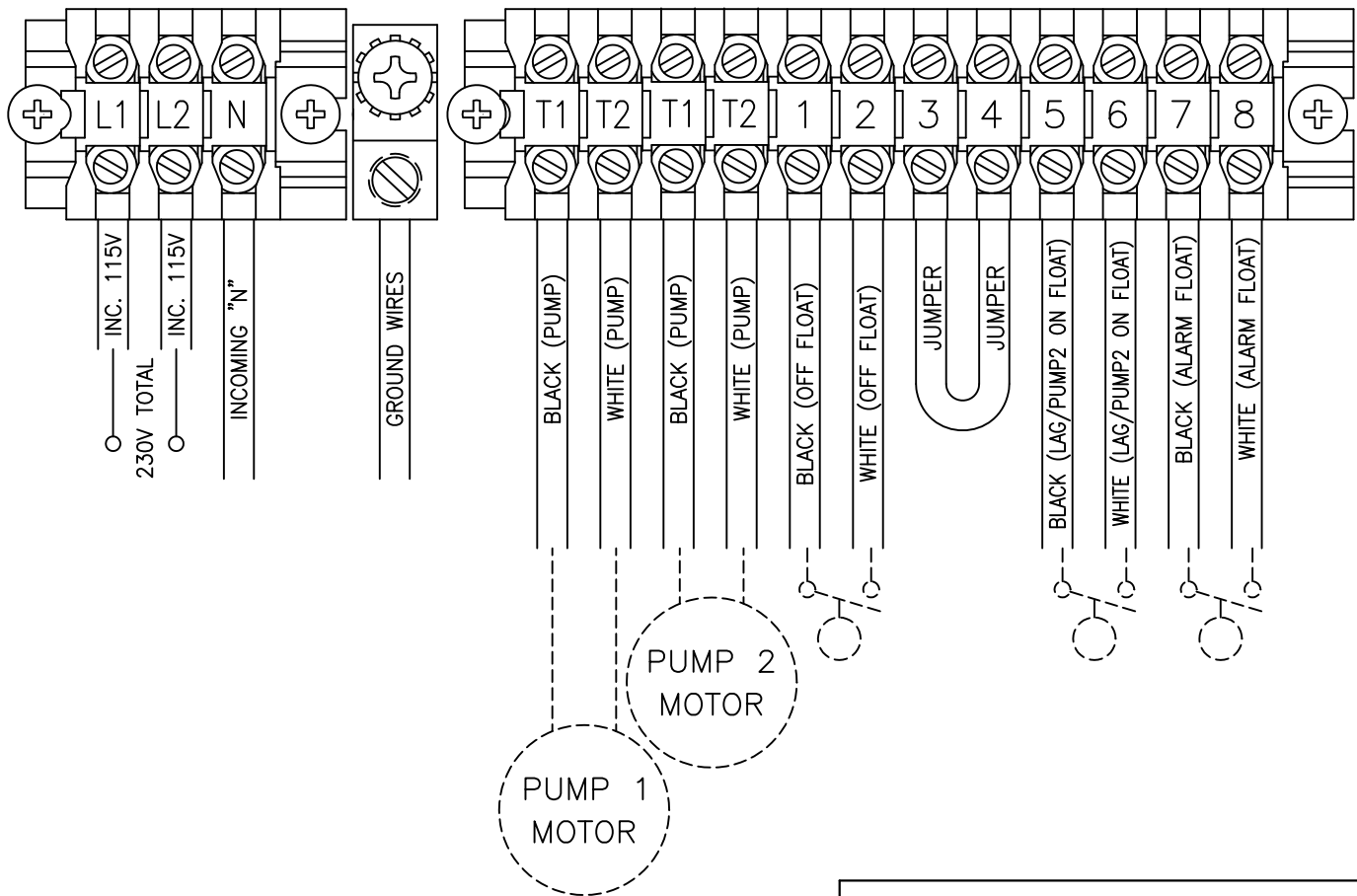
SDC2B

PAGE  
2

# CONNECTION DIAGRAM (3 FLOAT SYSTEM)

## INCOMING POWER CONNECTIONS

## PUMP & FLOAT CONNECTIONS

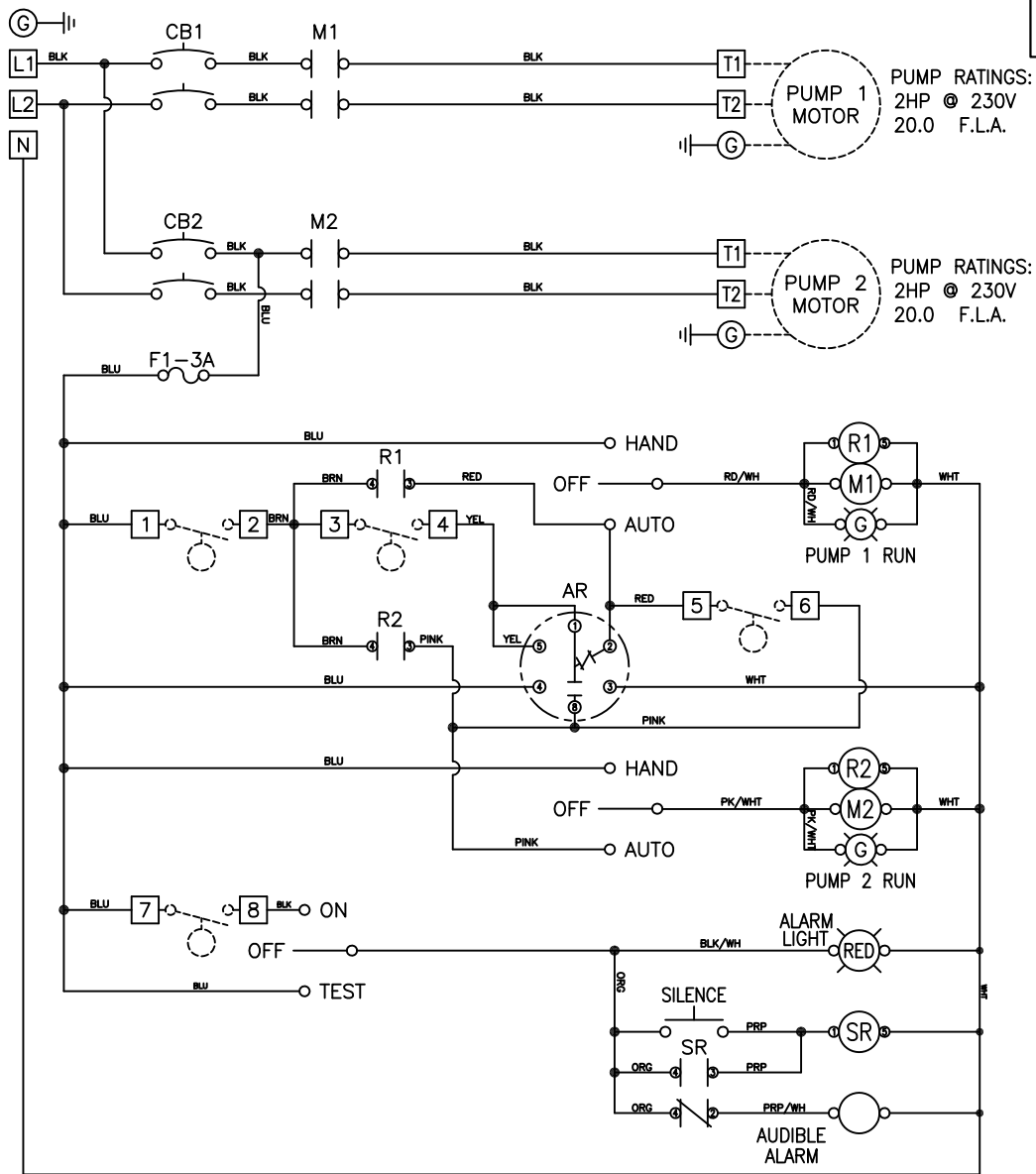


ALL INFORMATION CONTAINED IN THIS DRAWING IS  
CONFIDENTIAL AND PROPRIETARY TO SEPTIC PRODUCTS INC.



CHANGES	TOLERANCES	DRAWN BY	DATE	CONNECTION DIAGRAM	
F	DECIMALS .XXX = ±.005 .XX = ±.010 FRACTIONAL X/X = ±.1/64 ANGLES ° = ±1/2°	C. BARRICK	05/28/09	SCALE:	PART NO.
E		MATERIAL SPECIFICATION:  AS NOTED		FULL	50A502
D					
C					
B					
A					

POWER CIRCUIT  
230V - 1PH



PUMP RATINGS:  
2HP @ 230V  
20.0 F.L.A.

PUMP RATINGS:  
2HP @ 230V  
20.0 F.L.A.

NOTES: FLOAT SWITCH TO BE RATED 2 AMP AT 120V MINIMUM.  
MAIN PANEL DISCONNECT MUST BE PROVIDED BY INSTALLER.  
DASHED LINES INDICATE ITEMS NOT CONTAIN IN THE PANEL.  
FIELD WIRING MUST BE A MINIMUM OF 60°C COPPER WIRE.



CHANGES	TOLERANCES	DRAWN BY	DATE
F	DECIMALS	C. BARRICK	4/28/2014
E	.XX = ±.005	MATERIAL SPECIFICATION:	
D	.XX = ±.010		
C	FRACTIONAL	AS NOTED	
B	X/X = ±.1/64		
A	ANGLES X° = ±1/2°		

SCHEMATIC, ELECTRICAL	
SCALE:	PART NO.
FULL	50A502