

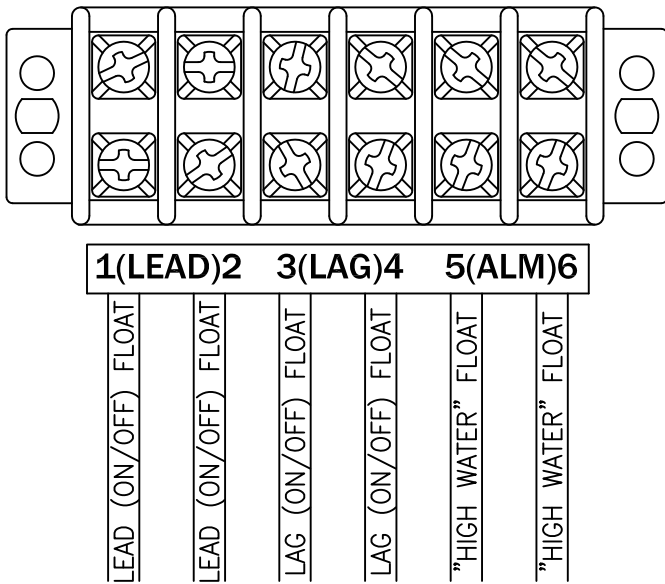
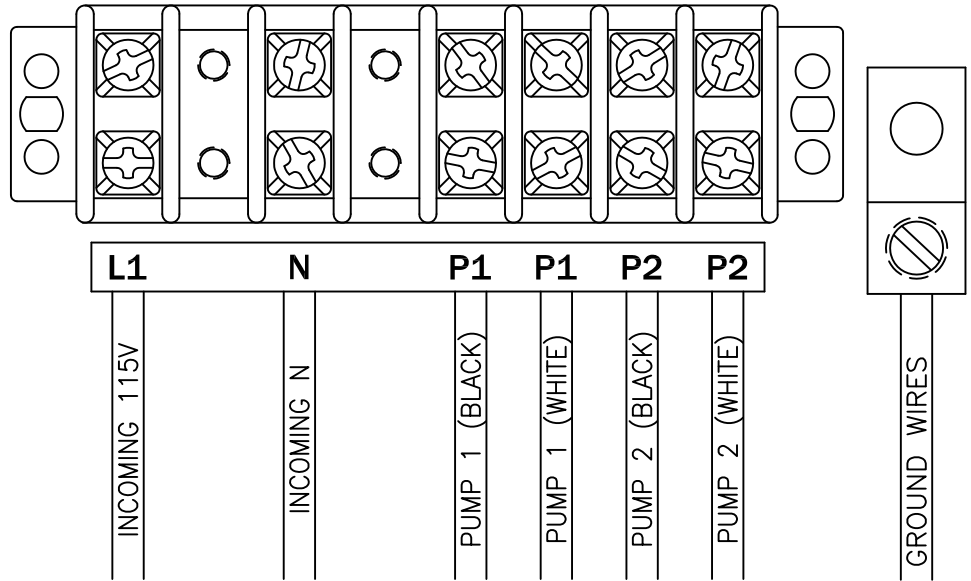
TIGHTENING TORQUE FOR TERMINAL BLOCK IS 9 in-lbs.

MODEL NO.

SDC1BB

PAGE

1



CONNECTION DIAGRAM

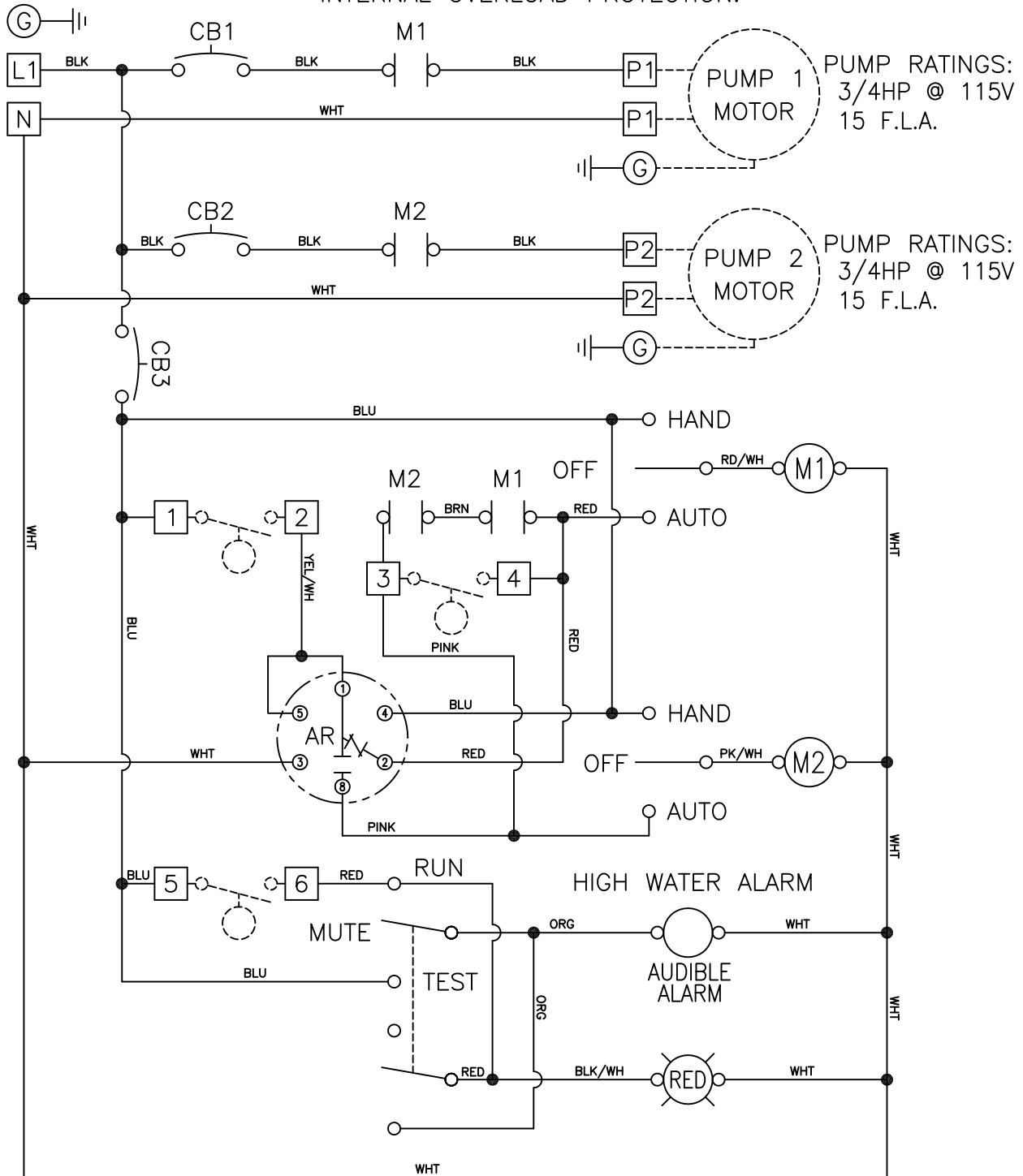
ALL INFORMATION CONTAINED IN THIS DRAWING IS CONFIDENTIAL AND PROPRIETARY TO SEPTIC PRODUCTS INC.



CHANGES		TOLERANCES		DRAWN BY		DATE		POWER CONNECTION DUPLEX BASIC			
F		DECIMALS .XXX = ±.005 .XX = ±.010 FRACTIONAL X/X = ±.1/64 ANGLES X° = ±1/2°		D. MIDDLETON		09/28/06					
E				MATERIAL SPECIFICATION: AS NOTED				SCALE:		PART NO.	
D								FULL		50A501B	
C											
B											
A											

POWER CIRCUIT
115V - 1PH

NOTE: PUMP MOTORS MUST HAVE
INTERNAL OVERLOAD PROTECTION.



NOTES: MAIN PANEL DISCONNECT MUST BE PROVIDED BY INSTALLER.
DASHED LINES INDICATE ITEMS NOT CONTAINED IN THE PANEL.
REQUIRED TORQUE FOR TERMINAL BLOCK SCREWS IS 9 in-lbs.
FIELD WIRING MUST BE A MINIMUM OF 60°C COPPER WIRE.



CHANGES	TOLERANCES	DRAWN BY	DATE
F	DECIMALS	D. MIDDLETON	02/16/07
E	.xxx = ±.005	MATERIAL SPECIFICATION:	
D	.xx = ±.010		
C	FRACTIONAL	AS NOTED	
B	x/x = ±.1/64		
A	ANGLES		
	x° = ±1/2°		

SCHEMATIC, ELECTRICAL
DUPLX BASIC

SCALE:
FULL

PART NO.

50A501B