

TIGHTENING TORQUE FOR TERMINAL BLOCK IS 16 in-lbs.

MODEL NO.

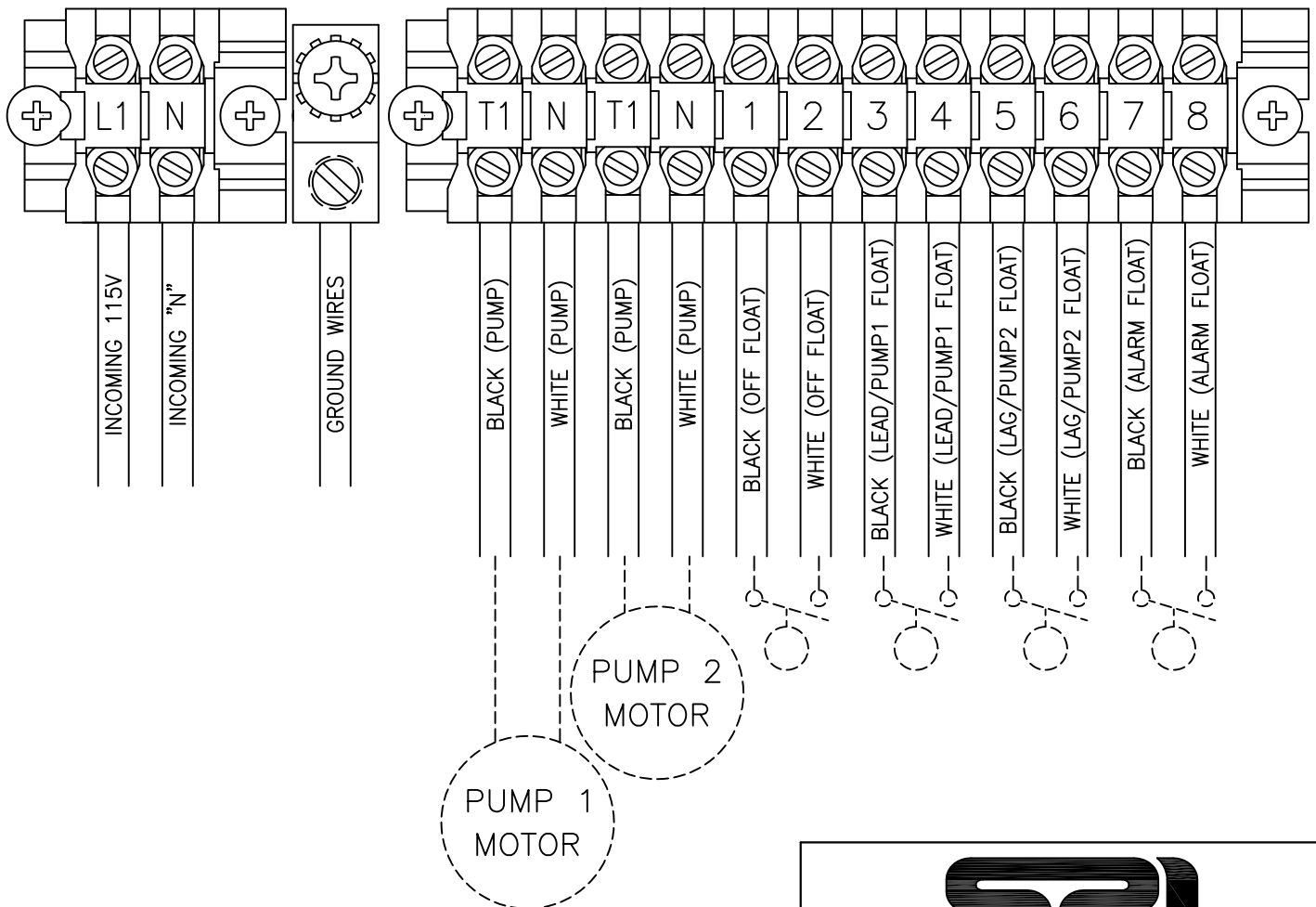
SDC1B

PAGE  
1

# CONNECTION DIAGRAM (4 FLOAT SYSTEM)

## INCOMING POWER CONNECTIONS

## PUMP & FLOAT CONNECTIONS



ALL INFORMATION CONTAINED IN THIS DRAWING IS  
CONFIDENTIAL AND PROPRIETARY TO SEPTIC PRODUCTS INC.



CHANGES	TOLERANCES	DRAWN BY	DATE	115V DUPLEX TERMINAL CONNECTIONS	
F	DECIMALS .XXX = ±.005 .XX = ±.010 FRACTIONAL X/X = ±.1/64 ANGLES X° = ±1/2°	C. BARRICK	05/28/09		
E		MATERIAL SPECIFICATION:  AS NOTED		FULL	50A501
D					
C					
B					
A					

TIGHTENING TORQUE FOR TERMINAL BLOCK IS 16 in-lbs.

MODEL NO.

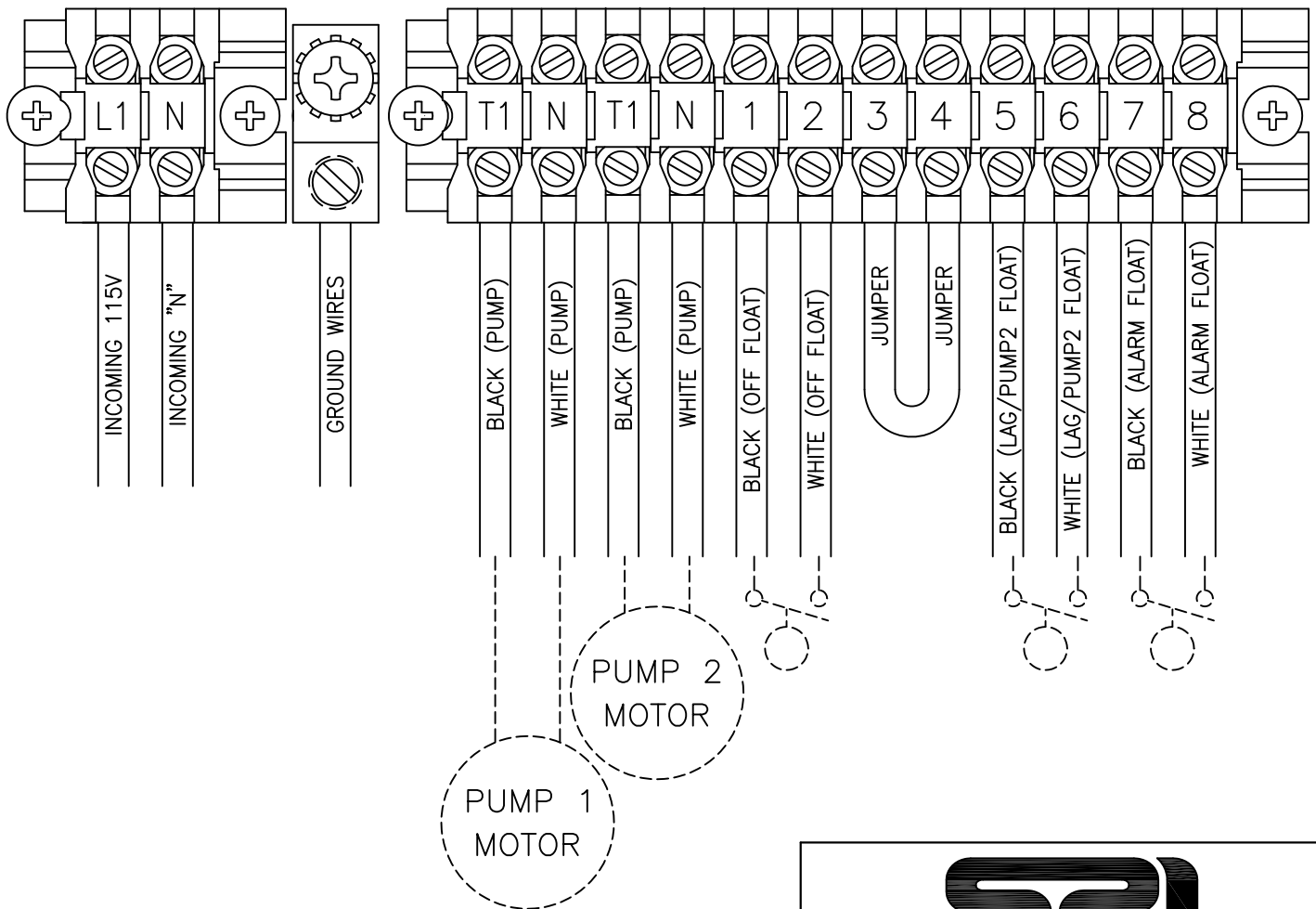
SDC1B

PAGE  
2

# CONNECTION DIAGRAM (3 FLOAT SYSTEM)

## INCOMING POWER CONNECTIONS

## PUMP & FLOAT CONNECTIONS

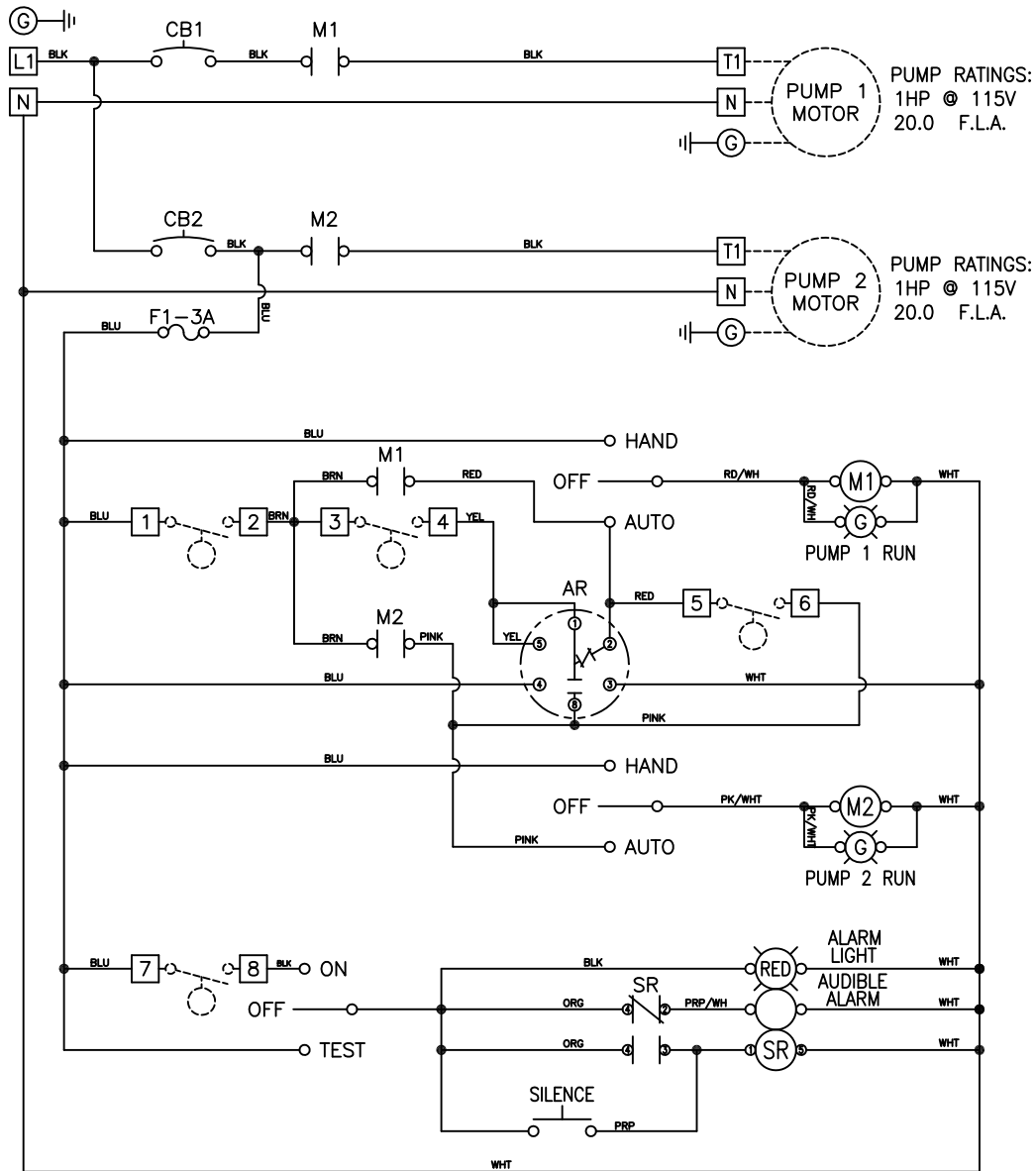


ALL INFORMATION CONTAINED IN THIS DRAWING IS  
CONFIDENTIAL AND PROPRIETARY TO SEPTIC PRODUCTS INC.



CHANGES	TOLERANCES	DRAWN BY	DATE	115V DUPLEX TERMINAL CONNECTIONS	
F	DECIMALS .XXX = ±.005 .XX = ±.010 FRACTIONAL X/X = ±.1/64 ANGLES X° = ±1/2°	C. BARRICK	05/28/09	SCALE:	PART NO.
E		MATERIAL SPECIFICATION:  AS NOTED		FULL	50A501
D					
C					
B					
A					

POWER CIRCUIT  
115V - 1PH



NOTES: FLOAT SWITCH TO BE RATED 2 AMP AT 120V MINIMUM.  
 MAIN PANEL DISCONNECT MUST BE PROVIDED BY INSTALLER.  
 DASHED LINES INDICATE ITEMS NOT CONTAIN IN THE PANEL.  
 REQUIRED TORQUE FOR TERMINAL BLOCK SCREWS IS 16 in-lbs.  
 FIELD WIRING MUST BE A MINIMUM OF 60°C COPPER WIRE.



**SEPTIC PRODUCTS INC**

SCHEMATIC, ELECTRICAL	
SCALE: FULL	PART NO. 50A501

CHANGES	TOLERANCES	DRAWN BY	DATE
F	DECIMALS .xxx = ±.005 .xx = ±.010	C. BARRICK	4/28/2014
E	FRACTIONAL x/x = ±.1/64 ANGLES x' = ±1/2'	MATERIAL SPECIFICATION:	
D		AS NOTED	
C			
B			
A			