

# CONNECTION DIAGRAM

MODEL NO.

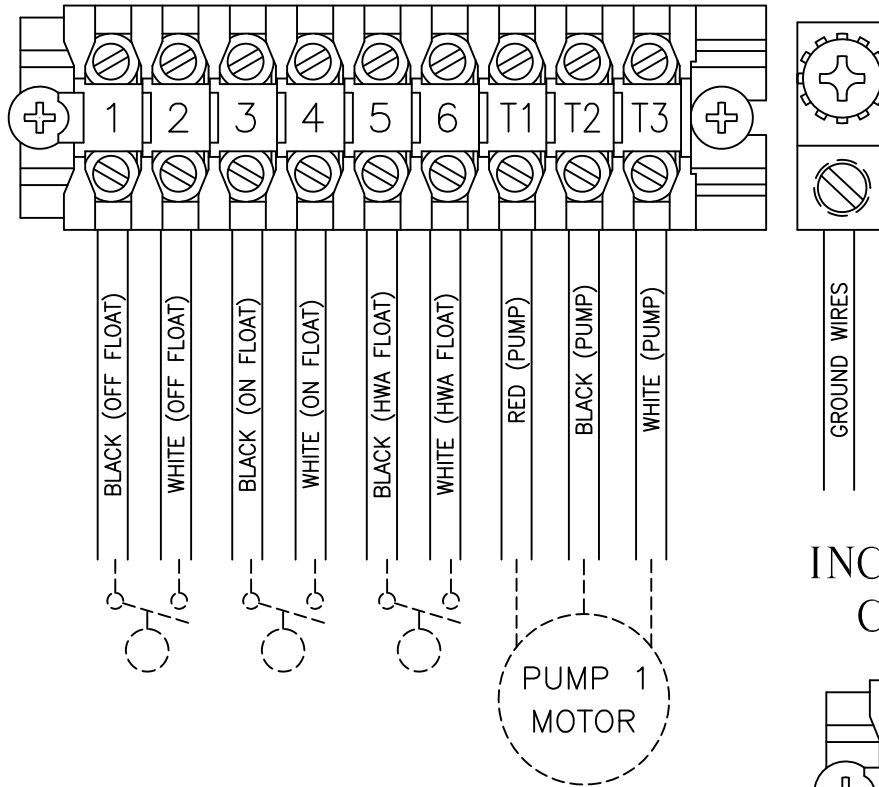
10

TIGHTENING TORQUE FOR TERMINAL BLOCK IS 16 in-lbs.

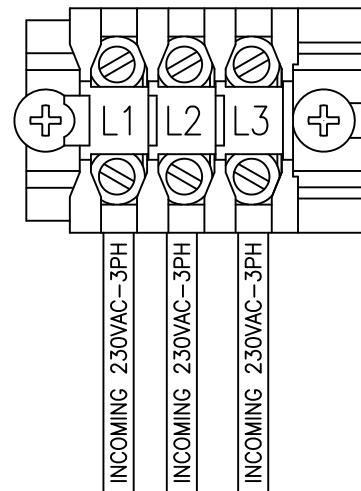
PAGE

1

## PUMP & FLOAT CONNECTIONS

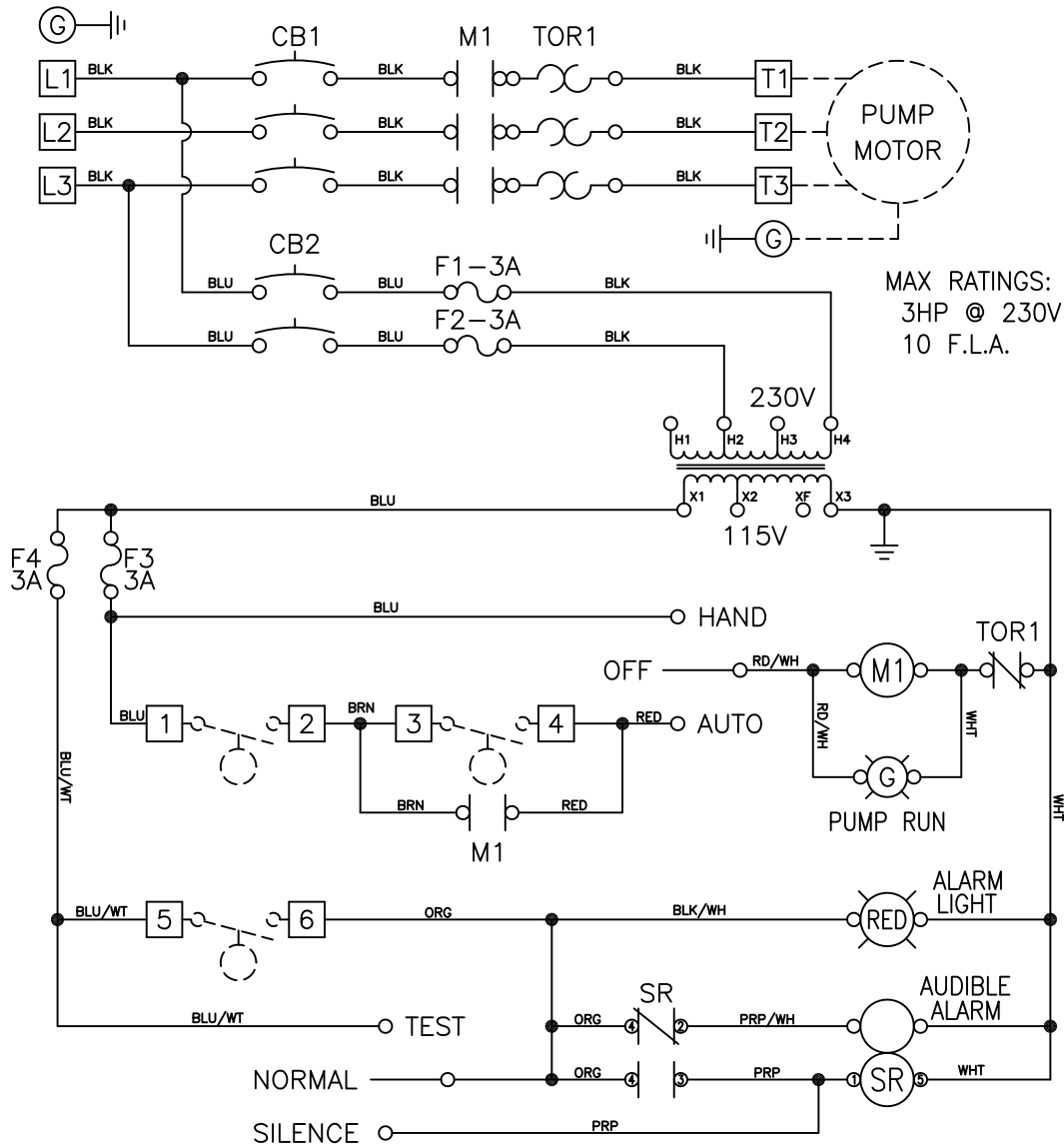


## INCOMING POWER CONNECTIONS



CHANGES		TOLERANCES		DRAWN BY		DATE		CONNECTION DIAGRAM			
F		DECIMALS .XXX = ±.005 .XX = ±.010 FRACTIONAL X/X = ±.1/64 ANGLES X° = ±1/2°		C. BARRICK		10/8/2018					
E				MATERIAL SPECIFICATION:  AS NOTED				SCALE: PART NO.			
D								FULL		50A007	
C											
B											
A											

POWER CIRCUIT (3 WIRE SERVICE)  
230V - 3PH - 60Hz



MAX RATINGS:  
3HP @ 230V  
10 F.L.A.

NOTES: FLOAT SWITCH TO BE RATED 2 AMP AT 120V MINIMUM.  
MAIN PANEL DISCONNECT MUST BE PROVIDED BY INSTALLER.  
DASHED LINES INDICATE ITEMS NOT CONTAIN IN THE PANEL.  
REQUIRED TORQUE FOR TERMINAL BLOCK SCREWS IS 16 in-lbs.  
FIELD WIRING MUST BE A MINIMUM OF 60°C COPPER WIRE.

ALL INFORMATION CONTAINED IN THIS DRAWING IS  
CONFIDENTIAL AND PROPRIETARY TO SEPTIC PRODUCTS INC.



CHANGES	TOLERANCES	DRAWN BY	DATE	SCHEMATIC	
F	DECIMALS .XXX = ±.005 .XX = ±.010 FRACTIONAL X/X = ±.1/64 ANGLES X° = ±1/2°	C. BARRICK	10/8/18	SCALE:	PART NO.
E		MATERIAL SPECIFICATION:  AS NOTED		FULL	50A007
D					
C					
B					
A					