

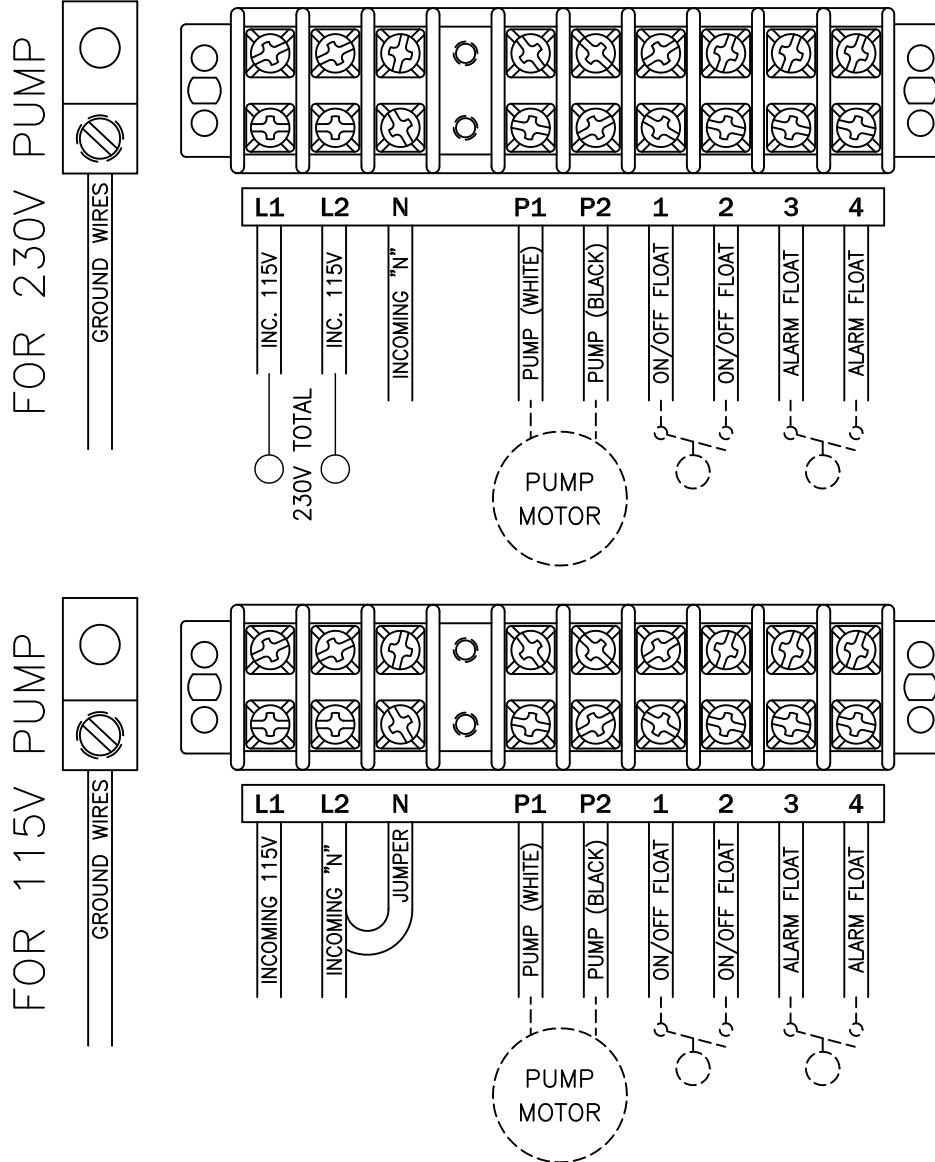
TIGHTENING TORQUE FOR TERMINAL BLOCK IS 9 in-lbs.

MODEL NO.

SSC12BB

PAGE
1

CONNECTION DIAGRAM



ALL INFORMATION CONTAINED IN THIS DRAWING IS CONFIDENTIAL AND PROPRIETARY TO SEPTIC PRODUCTS INC.



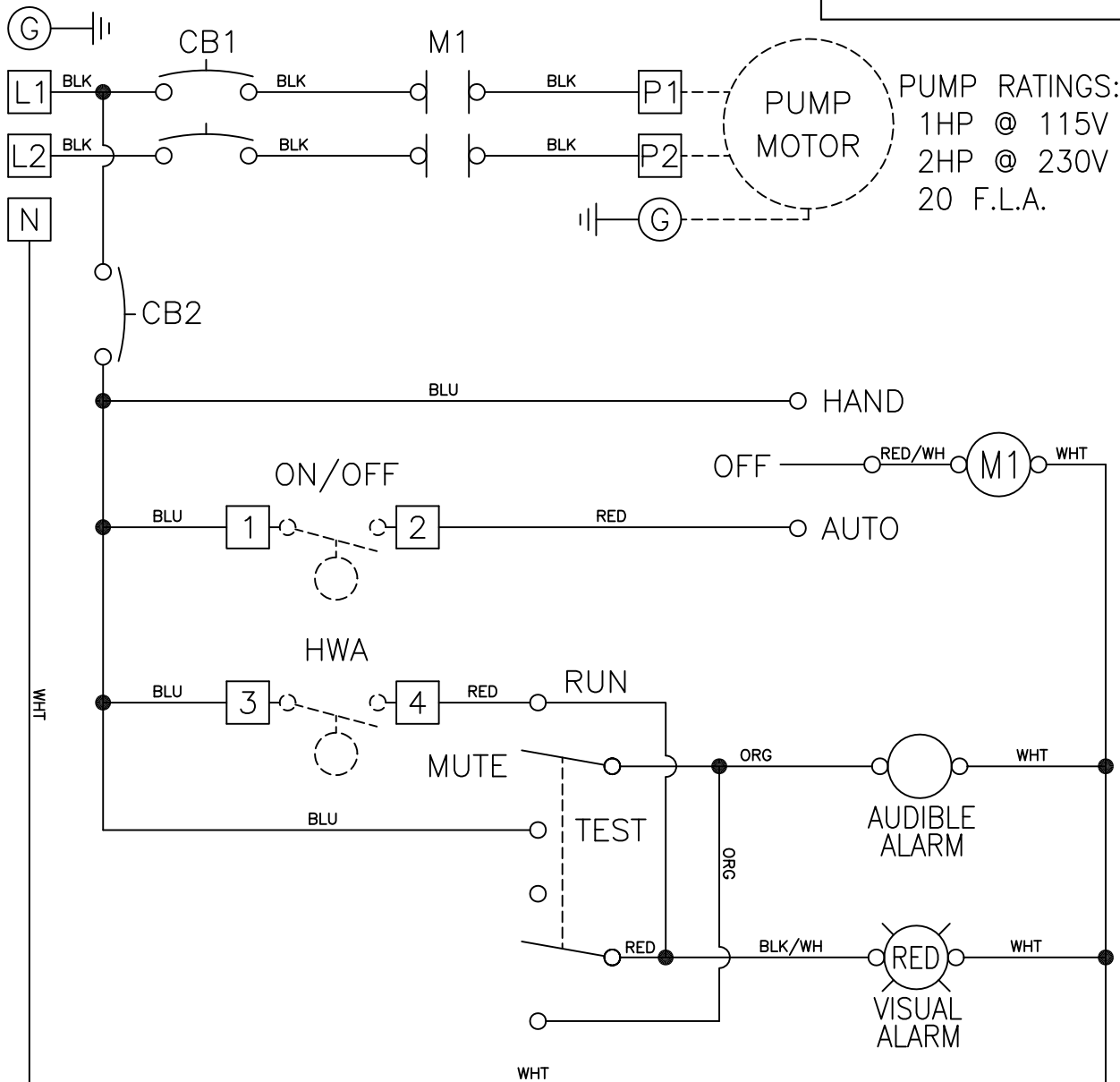
CHANGES	TOLERANCES	DRAWN BY	DATE
F	DECIMALS .XXX = ±.005 .XX = ±.010 FRACTIONAL X/X = ±.1/64 ANGLES X° = ±1/2°	C. BARRICK	03/30/09
E		MATERIAL SPECIFICATION: AS NOTED	
D			
C			
B			
A			

CONNECTION DIAGRAM BIO SIMPLEX	
SCALE:	PART NO.
FULL	50A006B

POWER CIRCUIT NOTE: PUMP MOTOR MUST HAVE 115/230V - 1PH INTERNAL OVERLOAD PROTECTION.

MODEL NO. SSC12BB

PAGE 2



NOTES: MAIN PANEL DISCONNECT MUST BE PROVIDED BY INSTALLER.
 DASHED LINES INDICATE ITEMS NOT CONTAINED IN THE PANEL.
 FIELD WIRING MUST BE A MINIMUM OF 60°C COPPER WIRE.
 REQUIRED TORQUE FOR TERMINAL BLOCK SCREWS IS 9 in-lbs.
 TO PRESERVE ENVIRONMENTAL RATING OF PANEL, USE FITTINGS
 AND HUBS WITH SAME ENVIRONMENTAL RATING AS ENCLOSURE.



ALL INFORMATION CONTAINED IN THIS DRAWING IS CONFIDENTIAL AND PROPRIETARY TO SEPTIC PRODUCTS INC.

CHANGES	TOLERANCES	DRAWN BY	DATE	SCHEMATIC, ELECTRICAL	
F	DECIMALS .XXX = ±.005 .XX = ±.010 FRACTIONAL X/X = ±.1/64 ANGLES X° = ±1/2°	C. BARRICK	03/30/09	SCALE:	PART NO.
E		MATERIAL SPECIFICATION: AS NOTED		FULL	50A006B
D					
C					
B					
A					