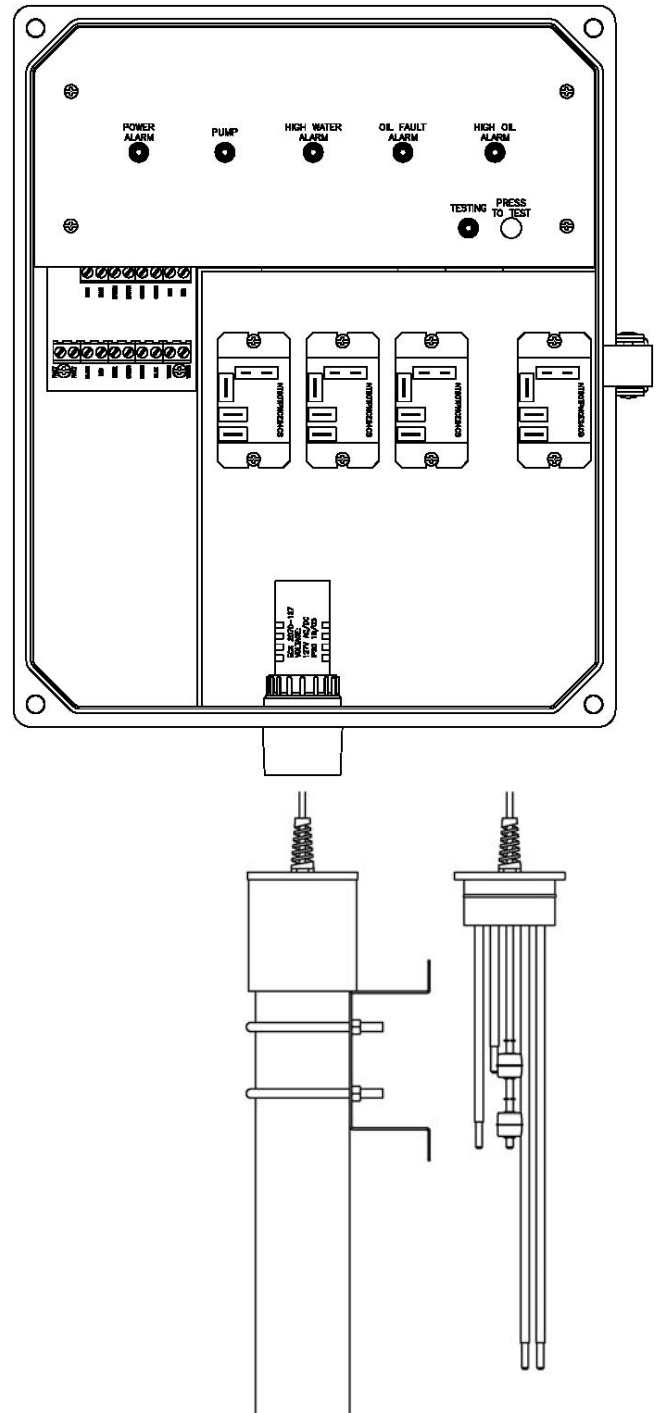


“70A002” Oil Sense Control Panel

Features & Benefits

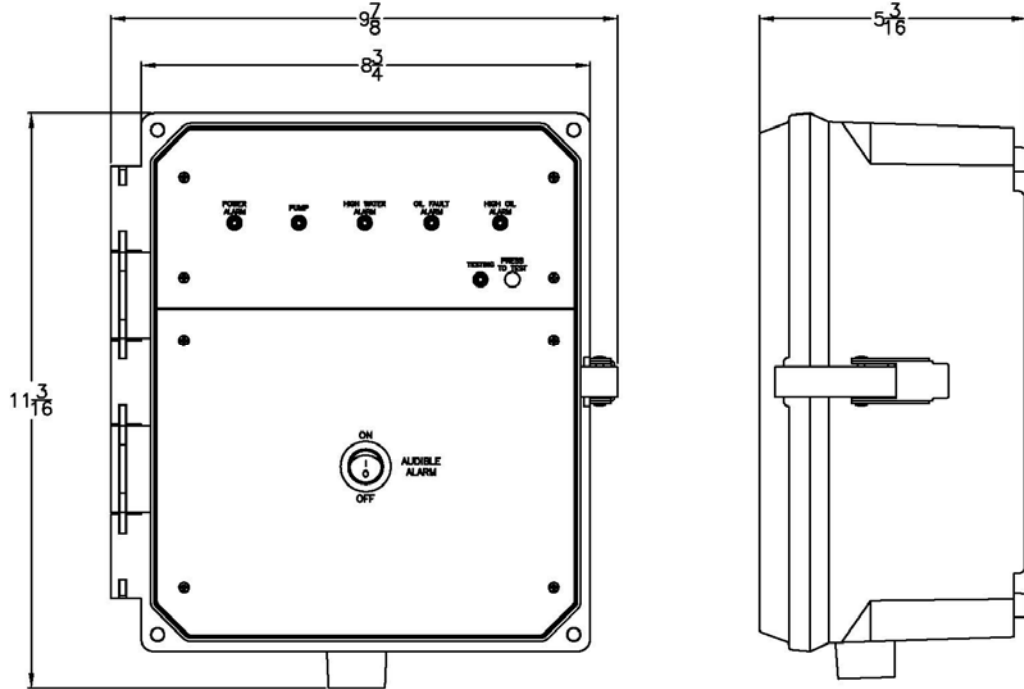
- Primary voltage: 230V, 1 Ph
- Low-volt intrinsically safe sensor
- +/- 1/8” level sensing accuracy
- Sensor levels may be configured per your specification
- No calibration required
- Usable with 230V pump, 13A max
- Plug-in / pig-tail receptacle for pump connection
- Easy to access terminal block
- Color coded per sensor wiring
- Includes power cord for plugging to 230V outlet
- Includes 230V plug for plugging to pump
- Includes sensor with 50ft cord standard
- Standard probe configuration:
 - High Alarm (Green) 10 3/8”
 - High Oil Alarm 14 7/8”
 - Pump On 16 3/8”
 - Pump Off 17”
 - Reference (Black) 17”
- Audible alarm with on-off switch
- Internal push-to-test switch
- High water indicator light
- Oil fault indicator light
- High oil indicator light
- Pump running light
- Polycarbonate Enclosure
- Stainless steel latch and see-through lid
- Auxiliary dry contacts for remote monitoring (BMS, BAS, or fire panel)
- Nema 4x Rating
- Mounting Bar for Enclosure



*Note: Consult the factory for other available options. Also, some options may require an increase in the enclosure size.

“70A002” Oil Sense Control Panel

Panel Dimensions



Connections

